



Final

# **Message Implementation Guidelines - 755 - Export Import Notification**

Version: 3.0  
Date: 09-03-2023

## Message Implementation Guidelines - 755 - Export Import Notification

### Document Identification

|                |  |
|----------------|--|
| Document title | Message Implementation Guidelines - 755 - Export Import Notification |
| Version        | 3.0  |
| Version Date   | 09-03-2023   |
| Status         | Final  |
| Document Owner | Amsterdam Airport Schiphol   |
| Filename       | MIG.755 version 3 - English v5_20230309.docx                         |

### Document Version Control

| Version | Date      | Author/Contributor | Description of change(s)                           |
|---------|-----------|--------------------|--|
| 3.1     | 18-7-2016 | René Willems       | Adjust Weight Gross field, 2 decimals allowed      |
| 4.0     | 17-7-2018 | Hans van Roest     | Adjustment required to include Import Notification |
| 5.0     | 09-3-2023 | Ruud Bruijn        | Adjustments to support AES                         |

### Related Documents

| Document (and link)                                 | Relationship                    |
|---|---------------------------------|
| 7000020013.FD.Functional Design eCargo Receipt v2.1 | All for ECS Shifted Inspections |
| 7000170000.FD.ECS portal v1.0                       | All for ECS Shifted Inspections |
| 7000020013.FD.ECSHUB.v1.007                         | All for ECS Shifted Inspections |

|   |           |
|---|-----------|
| <b>1. Preface</b>                                 | <b>4</b>  |
| <b>2. Functional message</b>                      | <b>5</b>  |
| <b>2.1 Hierarchy</b>                              | <b>5</b>  |
| <b>2.2 Message segment</b>                        | <b>5</b>  |
| <b>2.3 Message declaration</b>                    | <b>6</b>  |
| 2.3.1 Envelope                                    | 6         |
| 2.3.2 Message Header                              | 6         |
| 2.3.3 Customs Inventory Details                   | 6         |
| 2.3.4 Customs Shipment Details                    | 7         |
| 2.3.5 Customs Declaration Details                 | 8         |
| <b>3. Edifact</b>                                 | <b>9</b>  |
| <b>3.1 Introduction</b>                           | <b>9</b>  |
| <b>3.2 Segment mappings</b>                       | <b>10</b> |
| 3.2.1 UNB Interchange Header                      | 10        |
| 3.2.2 UNH Message Header                          | 10        |
| 3.2.3 BGM Beginning of Message                    | 11        |
| 3.2.4 DTM Date/Time                               | 11        |
| 3.2.5 RFF Reference (1)                           | 11        |
| 3.2.6 RFF Reference (2)                           | 12        |
| 3.2.7 NAD Name and Address (1)                    | 12        |
| 3.2.8 NAD Name and Address (2)                    | 13        |
| 3.2.9 LIN Line Item                               | 14        |
| 3.2.10 (LIN) RFF Reference                        | 14        |
| 3.2.11 (LIN) CST Customs status of goods          | 15        |
| 3.2.12 (LIN) QTY Quantity                         | 15        |
| 3.2.13 (LIN) MEA Measurements (1)                 | 15        |
| 3.2.14 (LIN) MEA Measurements (2)                 | 16        |
| 3.2.15 (LIN) EQD Equipment details                | 16        |
| 3.2.16 (LIN) GEI Processing Information           | 17        |
| <del>3.2.17 (LIN) VIA Voorafgaande Aangifte</del> | 17        |
| <del>3.2.18 (LIN VIA) NAD Name and Address</del>  | 18        |
| <del>3.2.19 (LIN VIA) DTM Date/Time</del>         | 19        |
| 3.2.20 UNT Message Trailer                        | 19        |
| <b>4. Code tables</b>                             | <b>21</b> |
| <b>4.1 C1 Cargonaut participant code</b>          | <b>21</b> |
| <b>4.2 C2 Goods Reference type</b>                | <b>21</b> |
| <b>4.3 C3 Customs Declaration type</b>            | <b>21</b> |
| <b>4.4 C4 Customs Document type</b>               | <b>21</b> |
| <b>5. Appendix</b>                                | <b>22</b> |
| <b>5.1 Edifact message diagram</b>                | <b>22</b> |
| <b>5.2 Edifact message specification</b>          | <b>22</b> |

## 1. Preface

The message 'Exit Notification' (ENO) is meant for forwarders without a license for storage of consignments within the RTO at Schiphol (PGTS). Besides, the ENO can be used for those parties to provide additional information. It enables them to electronically hand the release of export consignments to the Export Control System (ECS).

The same structure can be used for sending 'Import Notification' (INO) messages and allows participants of PGTS for import shipments to provide additional information.

An important reason for this new version (v3) of the ENO is to support the Automated Export System (AES). One of the messages related to AES, the Arrival at Exit (AAX), offers the possibility to notify Customs of differences ('discrepancies') compared to the export or re-export declaration. These differences can be related to quantity, weight (gross and/or net weight) or repackaging of the goods. Therefore, new data elements are added in which these differences can be reported to enable Cargonaut to process these in the corresponding AAX. For reference, the goods item number(s) of the respective good(s) can be added in case of a discrepancy.

Additions to the previous version are marked in purple text. Elements which are no longer valid, have been marked with ~~strikethrough~~.

## 2. Functional message

This chapter contains the functional description of the message "Exit Notification" and "Import Notification" (755).

Paragraph Hierarchy gives the functional structure of the message.

In capital letters the name of the corresponding segments is given. The relation between segments is clarified by the sequence and the aligning from the left.

For each segment the number of occurrences is given (min /max). In case of no occurrence limit, the description is left out. A segment can be mandatory (M), optional (O) or conditional (C).

Paragraph Segments gives a short description of the contents and function of each segment and additional information on relationships.

Paragraph Segment/Elements consists of a full description of all data-elements of the segments.

By element the following information is described:

- the unique name of the element;
- an element can be mandatory (R), optional (O) or conditional (C).

The format of the element:

|            |  |
|------------|--|
| a          | all letters of the alphabet are allowed (a-z, A-Z);            |
| n          | all numbers are allowed (0-9);                                 |
| an         | all alphanumeric characters are allowed (a-z, A-Z, 0-9);       |
| 2          | the fixed length the string should be;                         |
| ..8        | the maximum length a string is allowed to be;                  |
| n..11,2    | Up to 11 positions before the separator and 2 positions after; |
| n...11,..3 | Up to 11 positions before the separator and up to three after; |
| CC         | decennium;   |
| YY         | year;  |
| MM         | month;   |
| DD         | day;   |
| UU         | hour (00-23);  |
| MM         | minutes;   |
| SS         | seconds;   |
| IIIII      | milliseconds;  |

Condition: The conditions regarding conditional given element.

Rule: Additional rules regarding the use and/or completion of the element.

Code list: The reference to the (.mandatory) code list to be used to complete the element.

Note: Additional remarks to clarify the completion of the element.

### 2.1 Hierarchy

|                             |         |
|-----------------------------|---------|
| ENVELOPE                    | 1..1, M |
| MESSAGE HEADER              | 1..1, M |
| CUSTOMS INVENTORY DETAILS   | 1..1, M |
| CUSTOMS SHIPMENT DETAILS    | 1..1, O |
| CUSTOMS DECLARATION DETAILS | 1..n, M |

### 2.2 Message segment

The segment "envelope" always occurs and just but one time. It contains the unique identifiers of the involved participants.

The "message header" always occurs and just but one time. It contains the unique identifiers of the ECS transaction.

The "customs inventory details" always occurs and just but one time. It determines the nature and the moment of the transaction.

The "customs shipment details" is optional and contains the consignment identification and features of the corresponding transaction.

The "customs declaration" occurs at least 1 time per message and contains the identification of the previous storages and customs formalities.

## 2.3 Message declaration

### 2.3.1 Envelope

*Sender code* M an3

Unique identifier for the sender

Code list: C1 - Cargonaut Participant Code

Rule: For export related messages (ENO): The sender has to be a participant in the Cargonaut Export Control System. For import (and PGTS) related messages (INO): The sender has to be a participant in the PGTS system.

*Recipient code* M an3

Unique identifier for the recipient

Rule: For export related messages (ENO): This must always be "ECB". For import (and PGTS) related messages (INO): This must always be "ICB"

### 2.3.2 Message Header

*Type message* M n3

Unique message identifier

*Version number message* M n..2

Message version

If you have implemented this MIG, please mention version number 3.

### 2.3.3 Customs Inventory Details

*Date time transaction* M n12

Date and time of the export movement towards the handler.

Rule1: The time has to be previous to the message transaction time.

Rule2: The field "hours" must be greater than or even to "0" and smaller than or even to "23."

Format: CCYYMMDDHHMM

*Reporting party* M an3

Unique code of the consignment forwarder

Code list: C1 - Cargonaut Participant

Rule: For export related messages (ENO): The sender has to be a participant in the Cargonaut Export Control System. This code is likely to be the same as that of the sender in the envelope. For import (and PGTS) related messages (INO): The sender has to be a participant in the PGTS system. This code is likely to be the same as that of the sender in the envelope.

*Ship to party* M an3

Unique code of the consignment recipient

Code list: C1 - Cargonaut Participant

Rule: For export related messages (ENO): The Ship to party has to be known in the Cargonaut Export Control System as participant and as handler. For import (and PGTS) related messages (INO): The Ship to party has to be a participant in the PGTS system.

*Trader reference number* M n11

Unique referential number of the message. This number is unique for each ECS

participant.

Format: CCYYNNNNNNNN

Rule: This number must be unique per message sender.

*Airline prefix and air waybill number* M n11

The air waybill number of the air waybill corresponding to the consignments.

Format: PPPNNNNNNNN

PPP Airline prefix  
NNNNNNNN Air waybill number

### 2.3.4 Customs Shipment Details

*Sequence number* M n6

Unique serial number of the declaration corresponding to the shipment data.

*Goods reference type* M an3

Unique code explaining with what shipment type the consignments were received.

Code list: C2 - Goods Reference type

*Goods Reference number* M an..15

Unique number connected to the declaration. The consignments are transported under this number at the declaration moment.

*Quantity* M n..9

The quantity of the goods corresponding to the given measurement unit code.

Rule: Must be greater than 0.

*Quantity discrepancy* O an3

Indicates that the sender of the message wants to inform Customs about a discrepancy related to the quantity of goods mentioned in the original declaration regarding an outbound shipment. The discrepancy will be processed in the AAX<sup>1</sup>.

*Measurement Unit code* M an3

Code declaring the measurement unit.

Rule: Only the code "COL" (= number of colli) is allowed.

*Weight gross* M n..7.2

The number of whole kilos (consignment weight **gross**).

Rule: Must be greater than 0.

*Weight gross discrepancy* O an3

Indicates that the sender of the message wants to inform Customs about a discrepancy related to the gross weight mentioned in the original declaration regarding an outbound shipment. The discrepancy will be processed in the AAX.

*Weight net* O n..7.2

The number of whole kilos (consignment weight **net**).

Rule: Must be greater than 0.

*Weight net discrepancy* O an3

Indicates that the sender of the message wants to inform Customs about a discrepancy related to the net weight mentioned in the original declaration regarding an outbound shipment. The discrepancy will be processed in the AAX.

*Goods item number* O an..5

Unique number connected to a goods item. The goods are transported under this number at the declaration moment. Only to be filled in in case of a discrepancy.

*Transport equipment identification* O an..17

Marks (letters and/or numbers) identifying equipment e.g. a unit load device. Only to be provided if the goods are (re)packed on a (new) ULD. This will be processed in the AAX as a discrepancy.

<sup>1</sup> AAX (Arrival at exit): a message in which the Office of Exit is notified about the arrival of goods as declared in an export declaration and about the location of temporary storage of these goods.

~~New goods identification~~ ~~M~~ ~~a1~~

~~Tells if the consignments are subject to customs supervision~~

~~Rule: Y if consignments are subject to customs supervision.  
N if not.~~

## 2.3.5 Customs Declaration Details

~~Customs Document Type~~ ~~0~~ ~~an1~~

~~This code states if for the corresponding export declaration an arrival at exit message has to be sent to Customs (if Customs Declaration type has value "EX", "CO", or "EU"). Or it states that an additional exit summary declaration has to be sent (if Customs Declaration type has value "821").~~

~~Code list: C4 - Customs Document Type~~

~~Customs Declaration Type~~ ~~M~~ ~~an..5~~

~~This code explains the declaration type at the moment of subscribing the consignments.~~

~~Code list: C3 - Customs Declaration Type~~

~~Customs Declaration number~~ ~~M~~ ~~an...35~~

~~The declaration number for the declared consignments. For the customs declaration types EX, EX3, 821, 825 or 355 combined with customs document type "M" a Movement Reference Number must be given here. This an eighteen positions long number and must be compatible with the EU algorithm check.~~

~~City Declaration~~ ~~0~~ ~~an..17~~

~~The place of declaration~~

~~Date Declaration~~ ~~0~~ ~~n8~~

~~The date of declaration~~

~~Format: CCYYMMDD~~



## 3. Edifact

### 3.1 Introduction

This chapter describes how the elements of the segments in the messages are mapped to the EDIFact structure.

The mappings are described in the sequence of the EDIFact segments in the below diagrams and schemes. The diagram details the following information:

- in grey the segment of the focus
- three letter code of the segment-tag
- indicator mandatory/optional/conditional
- number of occurrences of the segment (min/max)
- position of the segment in the overall structure of the message

In the scheme the details information on the mapping of the segments to elements:

The left side of the scheme lists the complete list of elements in the EDIFact segment. In the header we see the name of the segment, the segment identification or segment-tag and the position of the segment compared to the hierarchical previous segments.

e.g. BGM-NAD[CN] (LOC ) : the LOC segment is a part of the NAD segment with qualifier [CN] , which is a part of segment BGM.

The right side of the scheme lists the elements and the completion of these. For completion of the elements one of the following will be provided:

- A short description of the information that needs to fill the elements.
- A hyphen "-" indicates that the element remains empty.
- If the element needs to be completed with a constant value, the value is indicated between "".

Important to notice is that this message structure contains three Edifact specific segments:

- UND – Interchange header
- UNH – Message header
- UNT – Message trailer

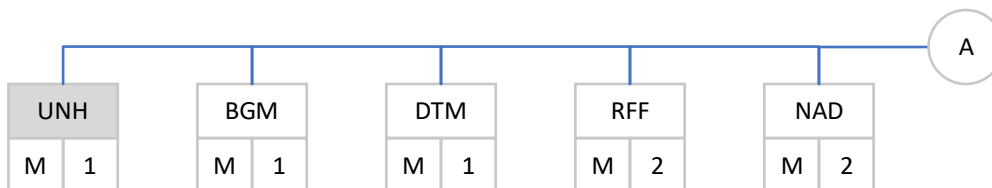
The first two segments act as a sort of envelope. The last one is a check-up, you have to declare the number of segments. A message broker will count the number of segments and check if it is similar to the number in the UNT segment.

## 3.2 Segment mappings

### 3.2.1 UNB Interchange Header

| UNB  | INTERCHANGE HEADER | M 1                            | ENVELOPE   |
|------|--------------------|--------------------------------|--|
| S001 | M                  | SYNTAX IDENTIFIER              |  |
| 0001 | a4                 | M                              | Syntax identifier "UNOC"                                   |
| 0002 | n1                 | M                              | Syntax version number "3"                                  |
| S002 | M                  | INTERCHANGE SENDER             |  |
| 0004 | an..35             | M                              | Sender identification Sender code (M, an3)                 |
| 0007 | an..4              | C                              | Partner identification code qualifier -                    |
| 0008 | an..14             | C                              | Address for reverse routing -                              |
| S003 | M                  | INTERCHANGE RECIPIENT          |  |
| 0010 | an..35             | M                              | Recipient Identification Addressee code (M, an3)           |
| 0007 | an..4              | C                              | Partner identification code qualifier -                    |
| 0014 | an..14             | C                              | Routing address -  |
| S004 | M                  | DATE/TIME OF PREPARATION       |  |
| 0017 | n6                 | M                              | Date Interchange date (M, YYMMDD)                          |
| 0019 | n4                 | M                              | Time Interchange time (M, HHMM)                            |
| 0020 | an..14             | M                              | INTERCHANGE CONTROL REFERENCE Unique interchange reference |
| S005 | C                  | RECIPIENTS REFERENCE, PASSWORD |  |
| 0022 | an..14             | M                              | Recipient's reference/ password -                          |
| 0025 | an2                | C                              | Recipient's reference/ password qualifier -                |
| 0026 | an..14             | C                              | APPLICATION REFERENCE -                                    |
| 0029 | a1                 | C                              | PROCESSING PRIORITY CODE -                                 |
| 0031 | n1                 | C                              | ACKNOWLEDGEMENT REQUEST -                                  |
| 0032 | an..35             | C                              | COMMUNICATIONS AGREEMENT ID -                              |
| 0035 | n1                 | C                              | TEST INDICATOR -   |

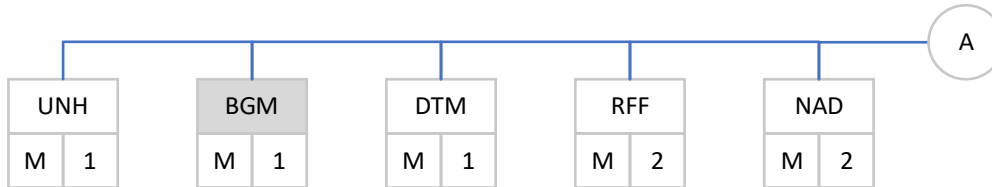
### 3.2.2 UNH Message Header



| UNH  | MESSAGE HEADER | M 1                | MESSAGE HEADER                                    |
|------|----------------|--------------------|---|
| 0062 | an..14         | M                  | MESSAGE REFERENCE NUMBER Unique message reference |
| S009 | M              | MESSAGE IDENTIFIER |   |
| 0065 | an..6          | M                  | Message type "755"                                |
| 0052 | an..3          | M                  | Message version number "3"                        |
| 0054 | an..3          | C                  | Message release number -                          |
| 0051 | an..3          | C                  | Controlling agency -                              |
| 0057 | an..6          | C                  | Association assigned code -                       |

|      |        |   |                         |   |
|------|--------|---|-------------------------|---|
| 0068 | an..35 | C | Common access reference | - |
| S010 |        | C | STATUS OF THE TRANSFER  | - |
| 0070 | n..2   | M | Sequence of transfers   | - |
| 0073 | a1     | C | First and last transfer | - |

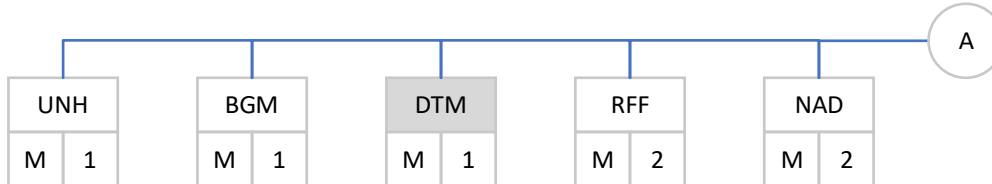
### 3.2.3 BGM Beginning of Message



|     |                      |     |                      |
|-----|----------------------|-----|----------------------|
| BGM | BEGINNING OF MESSAGE | M 1 | NOTIFICATION OF EXIT |
|-----|----------------------|-----|----------------------|

|      |                                   |   |        |                                     |
|------|-----------------------------------|---|--------|-------------------------------------|
| C002 | DOCUMENT/MESSAGE NAME             | C |        |                                     |
| 1001 | Document name code                | C | an..3  | "833" Cargo declaration (departure) |
| 1131 | Code list identification code     | C | an..17 | -                                   |
| 3055 | Code list responsible agency code | C | an..3  | -                                   |
| 1000 | Document name                     | C | an..35 | -                                   |
| C106 | DOCUMENT/MESSAGE IDENTIFICATION   | C |        |                                     |
| 1004 | Document identifier               | C | an..35 | -                                   |
| 1056 | Version identifier                | C | an..9  | -                                   |
| 1060 | Revision identifier               | C | an..6  | -                                   |
| 1225 | Message function code             | C | an..3  | -                                   |
| 4343 | Response type code                | C | an..3  | -                                   |

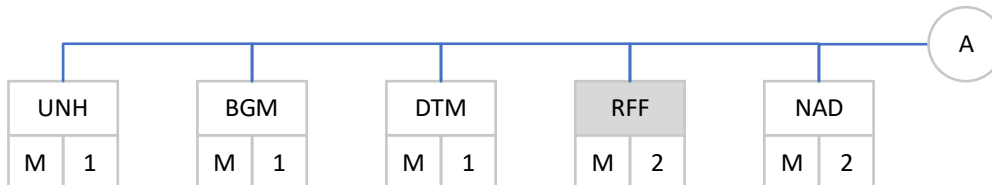
### 3.2.4 DTM Date/Time



|     |           |     |                      |
|-----|-----------|-----|----------------------|
| DTM | DATE/TIME | M 1 | NOTIFICATION OF EXIT |
|-----|-----------|-----|----------------------|

|      |   |   |        |                                    |
|------|---|---|--------|------------------------------------|
| C507 | DATE/TIME/PERIOD                                  | M |        |                                    |
| 2005 | Date or time or period function code<br>qualifier | M | an..3  | "184" Date/time of notification    |
| 2380 | Date or time or period value                      | C | an..35 | Date time of notification (M, n12) |
| 2379 | Date or time or period format code                | C | an..3  | "203" (format ccyyymmdduumm)       |

### 3.2.5 RFF Reference (1)

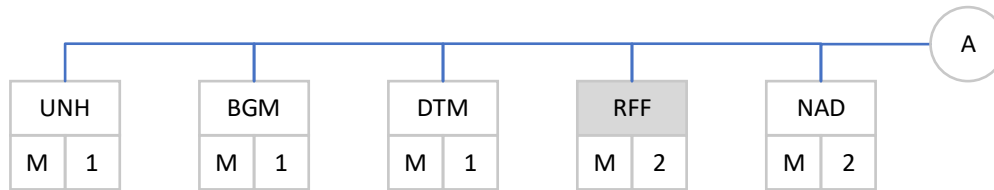


|     |           |     |                      |
|-----|-----------|-----|----------------------|
| RFF | REFERENCE | M 1 | NOTIFICATION OF EXIT |
|-----|-----------|-----|----------------------|

|      |                              |   |        |   |
|------|------------------------------|---|--------|---|
| C506 | REFERENCE                    | M |        |   |
| 1153 | Reference code qualifier     | M | an..3  | "ACD" Additional reference number (M, a3) |
| 1154 | Reference identifier         | C | an..70 | Trader reference number (M, n11)          |
| 1156 | Document line identifier     | C | an..6  | -   |
| 4000 | Reference version identifier | C | an..35 | -   |

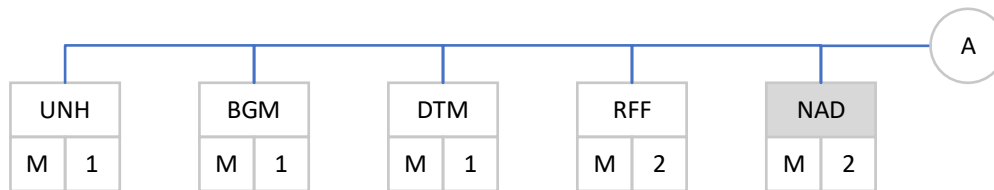
1060 Revision identifier C an..6 -

### 3.2.6 RFF Reference (2)



| RFF  | REFERENCE                    | M 1 |        | NOTIFICATION OF EXIT                          |
|------|------------------------------|-----|--------|---|
| C506 | REFERENCE                    | M   |        |   |
| 1153 | Reference code qualifier     | M   | an..3  | "AWB" Air waybill number (M, a3)              |
| 1154 | Reference identifier         | C   | an..70 | Airline prefix and Airwaybill number (M, n11) |
| 1156 | Document line identifier     | C   | an..6  | -   |
| 4000 | Reference version identifier | C   | an..35 | -   |
| 1060 | Revision identifier          | C   | an..6  | -   |

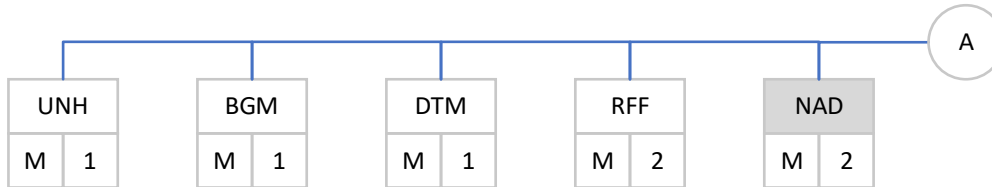
### 3.2.7 NAD Name and Address (1)



| NAD  | NAME/ADDRESS                                    | M 1 |        | NOTIFICATION OF EXIT                       |
|------|---|-----|--------|--|
| 3035 | PARTY FUNCTION CODE QUALIFIER                   | M   | an..3  | "GY" Inventory reporting party             |
| C082 | PARTY IDENTIFICATION DETAILS                    | C   |        |  |
| 3039 | Party identifier                                | M   | an..35 | Cargonaut code for reporting party (M, a3) |
| 1131 | Code list identification code                   | C   | an..17 | -  |
| 3055 | Code list responsible agency code               | C   | an..3  | -  |
| C058 | NAME AND ADDRESS                                | C   |        |  |
| 3124 | Name and address description                    | M   | an..35 | -  |
| 3124 | Name and address description                    | C   | an..35 | -  |
| 3124 | Name and address description                    | C   | an..35 | -  |
| 3124 | Name and address description                    | C   | an..35 | -  |
| 3124 | Name and address description                    | C   | an..35 | -  |
| C080 | PARTY NAME                                      | C   |        |  |
| 3036 | Party name                                      | M   | an..35 | -  |
| 3036 | Party name                                      | C   | an..35 | -  |
| 3036 | Party name                                      | C   | an..35 | -  |
| 3036 | Party name                                      | C   | an..35 | -  |
| 3036 | Party name                                      | C   | an..35 | -  |
| 3045 | Party name format code                          | C   | an..3  | -  |
| C059 | STREET  | C   |        |  |
| 3042 | Street and number or post office box identifier | M   | an..35 | -  |
| 3042 | Street and number or post office box identifier | C   | an..35 | -  |
| 3042 | Street and number or post office box identifier | C   | an..35 | -  |
| 3042 | Street and number or post office box identifier | C   | an..35 | -  |
| 3164 | CITY NAME                                       | C   | an..35 | -  |

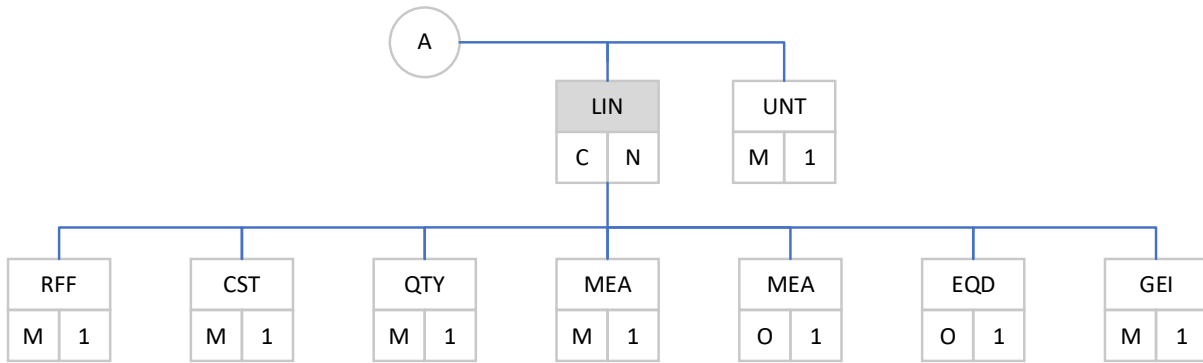
|      |                                   |   |        |   |
|------|-----------------------------------|---|--------|---|
| C819 | COUNTRY SUB-ENTITY DETAILS        | C |        |   |
| 3229 | Country sub-entity name code      | C | an..9  | - |
| 1131 | Code list identification code     | C | an..17 | - |
| 3055 | Code list responsible agency code | C | an..3  | - |
| 3228 | Country sub-entity name           | C | an..70 | - |
| 3251 | POSTAL IDENTIFICATION CODE        | C | an..17 | - |
| 3207 | COUNTRY NAME CODE                 | C | an..3  | - |

### 3.2.8 NAD Name and Address (2)



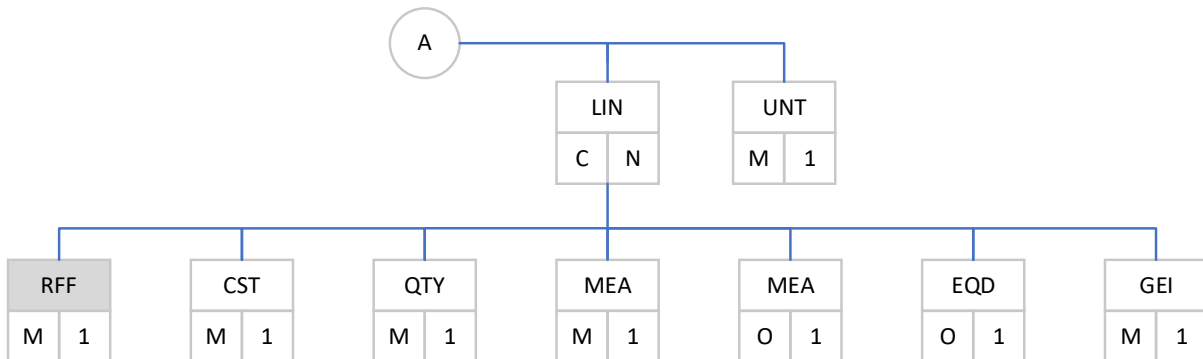
| NAD  | NAME/ADDRESS                                    | M 1 |        | NOTIFICATION OF EXIT                      |
|------|---|-----|--------|---|
| 3035 | PARTY FUNCTION CODE QUALIFIER                   | M   | an..3  | "ST" Ship to party                        |
| C082 | PARTY IDENTIFICATION DETAILS                    | C   |        |   |
| 3039 | Party identifier                                | M   | an..35 | Cargonaut code for ship to party (M, an3) |
| 1131 | Code list identification code                   | C   | an..17 | -   |
| 3055 | Code list responsible agency code               | C   | an..3  | -   |
| C058 | NAME AND ADDRESS                                | C   |        |   |
| 3124 | Name and address description                    | M   | an..35 | -   |
| 3124 | Name and address description                    | C   | an..35 | -   |
| 3124 | Name and address description                    | C   | an..35 | -   |
| 3124 | Name and address description                    | C   | an..35 | -   |
| 3124 | Name and address description                    | C   | an..35 | -   |
| C080 | PARTY NAME                                      | C   |        |   |
| 3036 | Party name                                      | M   | an..35 | -   |
| 3036 | Party name                                      | C   | an..35 | -   |
| 3036 | Party name                                      | C   | an..35 | -   |
| 3036 | Party name                                      | C   | an..35 | -   |
| 3036 | Party name                                      | C   | an..35 | -   |
| 3045 | Party name format code                          | C   | an..3  | -   |
| C059 | STREET  | C   |        |   |
| 3042 | Street and number or post office box identifier | M   | an..35 | -   |
| 3042 | Street and number or post office box identifier | C   | an..35 | -   |
| 3042 | Street and number or post office box identifier | C   | an..35 | -   |
| 3042 | Street and number or post office box identifier | C   | an..35 | -   |
| 3164 | CITY NAME                                       | C   | an..35 | -   |
| C819 | COUNTRY SUB-ENTITY DETAILS                      | C   |        |   |
| 3229 | Country sub-entity name code                    | C   | an..9  | -   |
| 1131 | Code list identification code                   | C   | an..17 | -   |
| 3055 | Code list responsible agency code               | C   | an..3  | -   |
| 3228 | Country sub-entity name                         | C   | an..70 | -   |
| 3251 | POSTAL IDENTIFICATION CODE                      | C   | an..17 | -   |
| 3207 | COUNTRY NAME CODE                               | C   | an..3  | -   |

## 3.2.9 LIN Line Item



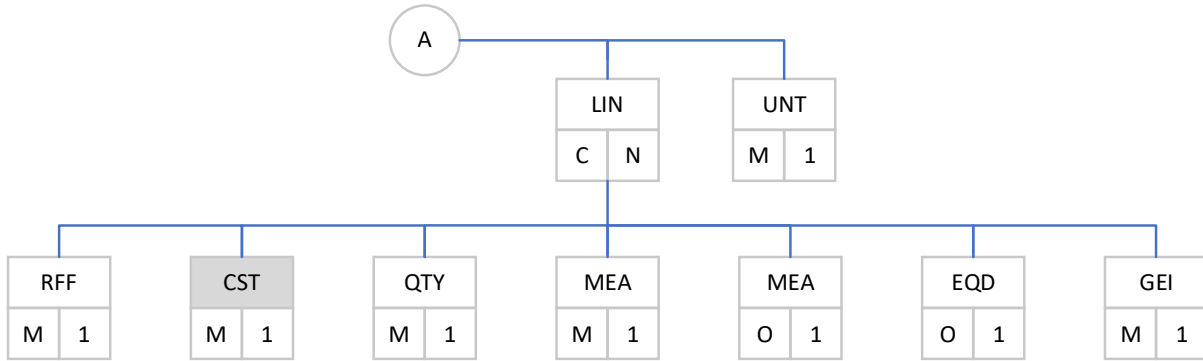
| LIN  | LINE ITEM                          | 1 | n      | CUSTOMS DECLARATION   |
|------|------------------------------------|---|--------|-----------------------|
| 1082 | LINE ITEM IDENTIFIER               | C | an..6  | Sequence nr. (M,n..6) |
| 1229 | ACTION REQUEST/NOTIFIC. DESCR.CODE | C | an..3  | -                     |
| C212 | ITEM NUMBER IDENTIFICATION         | C |        |                       |
| 7140 | Item identifier                    | C | an..35 | -                     |
| 7143 | Item type identification code      | C | an..3  | -                     |
| 1131 | Code list identification code      | C | an..17 | -                     |
| 3055 | Code list responsible agency code  | C | an..3  | -                     |
| C829 | SUB-LINE INFORMATION               | C |        |                       |
| 5495 | Sub-line indicator code            | C | an..3  | -                     |
| 1082 | Line item identifier               | C | an..6  | -                     |
| 1222 | CONFIGURATION LEVEL NUMBER         | C | n..2   | -                     |
| 7083 | CONFIGURATION OPERATION CODE       | C | an..3  | -                     |

## 3.2.10 (LIN) RFF Reference



| (LIN) RFF | REFERENCE                    | M | 1      | CUSTOMS DECLARATION                |
|-----------|------------------------------|---|--------|------------------------------------|
| C506      | REFERENCE                    | M |        |                                    |
| 1153      | Reference code qualifier     | M | an..3  | Goods reference type (M, an3)      |
| 1154      | Reference identifier         | M | an..70 | Goods reference number (M, an..15) |
| 1156      | Document line identifier     | C | an..6  | -                                  |
| 4000      | Reference version identifier | C | an..35 | -                                  |
| 1060      | Revision identifier          | C | an..6  | -                                  |

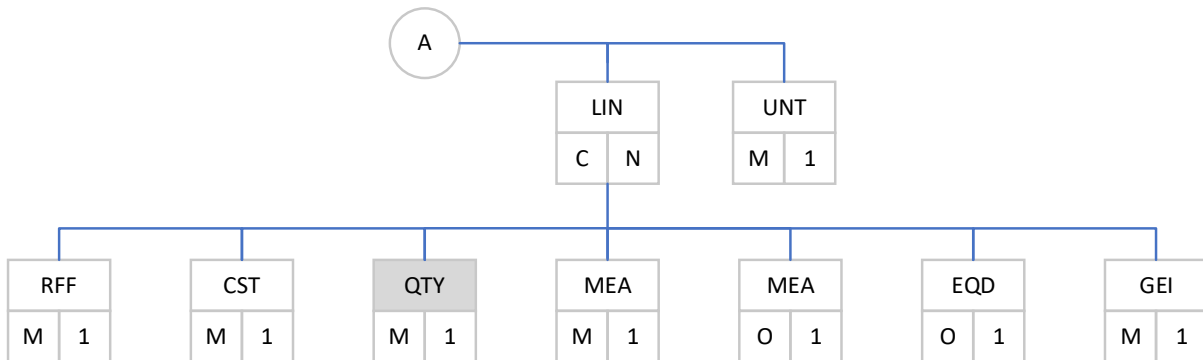
## 3.2.11(LIN) CST Customs status of goods



|           |                         |     |                     |
|-----------|-------------------------|-----|---------------------|
| (LIN) CST | CUSTOMS STATUS OF GOODS | M 1 | CUSTOMS DECLARATION |
|-----------|-------------------------|-----|---------------------|

|      |                                   |   |        |                                       |
|------|-----------------------------------|---|--------|---------------------------------------|
| 1496 | Goods item number                 | C | an..6  | Goods item number (M, an..5)          |
| C246 | CUSTOMS IDENTITY CODES            | C |        |                                       |
| 7361 | Customs goods identifier          | M | an..18 | Customs Declaration Number (M,an..35) |
| 1131 | Code list identification code     | C | an..17 | Customs Declaration Type (M,an..5)    |
| 3055 | Code list responsible agency code | C | an..3  | -                                     |

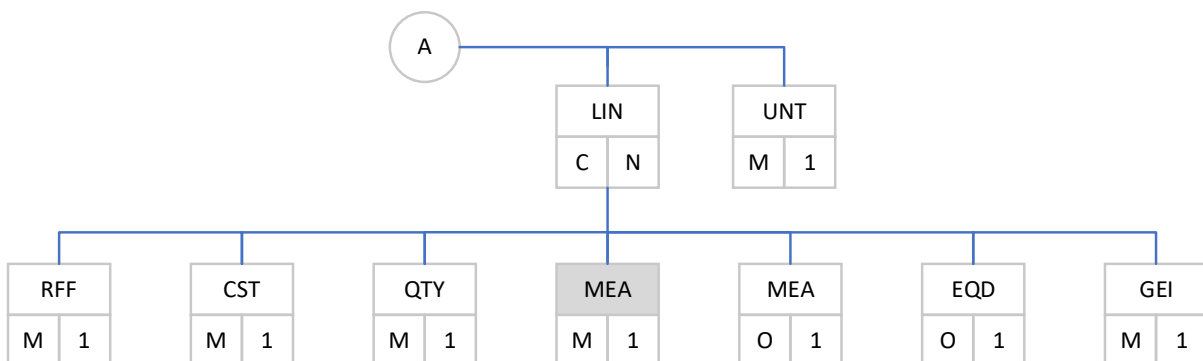
## 3.2.12 (LIN) QTY Quantity



|           |          |     |                     |
|-----------|----------|-----|---------------------|
| (LIN) QTY | QUANTITY | M 1 | CUSTOMS DECLARATION |
|-----------|----------|-----|---------------------|

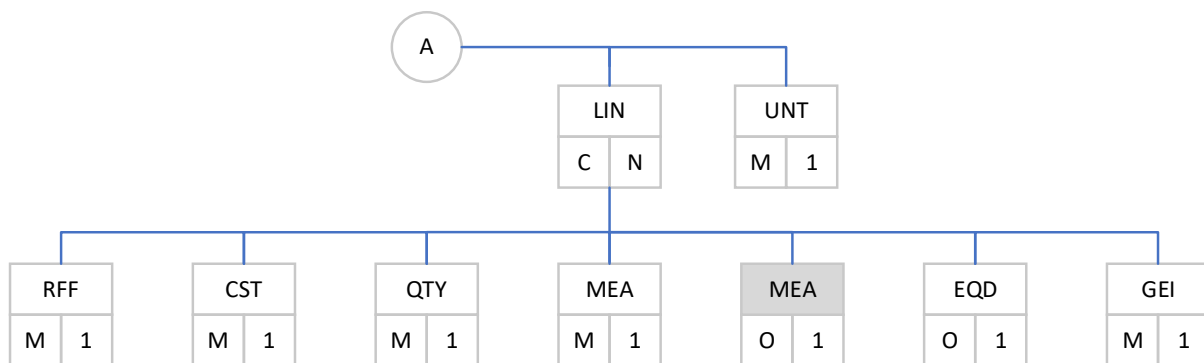
|      |                              |   |        |  |
|------|------------------------------|---|--------|--|
| C186 | QUANTITY DETAILS             | M |        |  |
| 6063 | Quantity type code qualifier | M | an..3  | Quantity discrepancy ("156 - Inventory movement quantity" if no discrepancy; else "250" - Inventory discrepancy) |
| 6060 | Quantity                     | M | an..35 | Quantity (M, n..9)   |
| 6411 | Measurement unit code        | M | an..3  | Measurement unit code (M,an3)  |

## 3.2.13 (LIN) MEA Measurements (1)



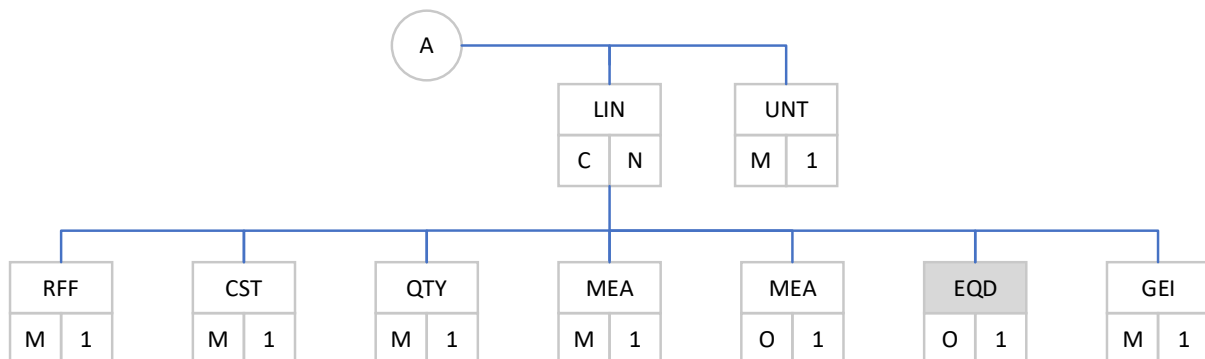
| (LIN) | MEA                                | MEASUREMENTS | M | 1      | CUSTOMS DECLARATION                      |
|-------|------------------------------------|--------------|---|--------|--|
| 6311  | MEASUREMENT PURPOSE CODE QUALIFIER |              | M | an..3  | "AAF" Customs line item measurement      |
| C502  | MEASUREMENT DETAILS                |              | C |        |  |
| 6313  | Measured attribute code            |              | M | an..3  | "AAB" Unit gross weight                  |
| 6321  | Measurement significance code      |              | C | an..3  | "10" in case of weight gross discrepancy |
| 6155  | Non-discrete measurement name code |              | C | an..17 | -  |
| 6154  | Non-discrete measurement name      |              | C | an..70 | -  |
| C174  | VALUE/RANGE                        |              | C |        |  |
| 6411  | Measurement unit code              |              | M | an..3  | "E4" gross kilogram                      |
| 6314  | Measure                            |              | M | an..18 | Weight gross (M, n..7.2)                 |
| 6162  | Range minimum quantity             |              | C | n..18  | -  |
| 6152  | Range maximum quantity             |              | C | n..18  | -  |
| 6432  | Significant digits quantity        |              | C | n..2   | -  |
| 7383  | SURFACE OR LAYER CODE              |              | C | an..3  | -  |

### 3.2.14(LIN) MEA Measurements (2)



| (LIN) | MEA                                | MEASUREMENTS | O | 1      | CUSTOMS DECLARATION                    |
|-------|------------------------------------|--------------|---|--------|--|
| 6311  | MEASUREMENT PURPOSE CODE QUALIFIER |              | M | an..3  | "AAF" Customs line item measurement    |
| C502  | MEASUREMENT DETAILS                |              | C |        |  |
| 6313  | Measured attribute code            |              | M | an..3  | "AAA" Unit net weight                  |
| 6321  | Measurement significance code      |              | C | an..3  | "10" in case of weight net discrepancy |
| 6155  | Non-discrete measurement name code |              | C | an..17 | -                                      |
| 6154  | Non-discrete measurement name      |              | C | an..70 | -                                      |
| C174  | VALUE/RANGE                        |              | C |        |  |
| 6411  | Measurement unit code              |              | M | an..3  | "58" net kilogram                      |
| 6314  | Measure                            |              | M | an..18 | Weight net (M, n..7.2)                 |
| 6162  | Range minimum quantity             |              | C | n..18  | -                                      |
| 6152  | Range maximum quantity             |              | C | n..18  | -                                      |
| 6432  | Significant digits quantity        |              | C | n..2   | -                                      |
| 7383  | SURFACE OR LAYER CODE              |              | C | an..3  | -                                      |

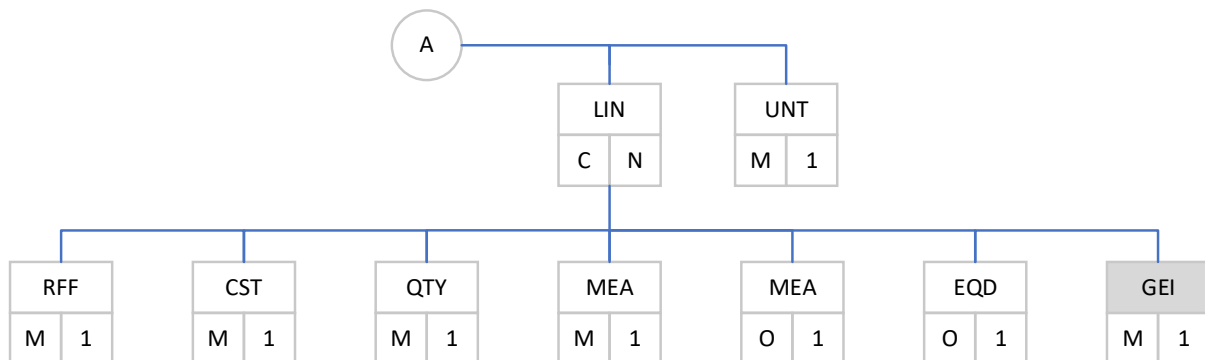
### 3.2.15 (LIN) EQD Equipment details





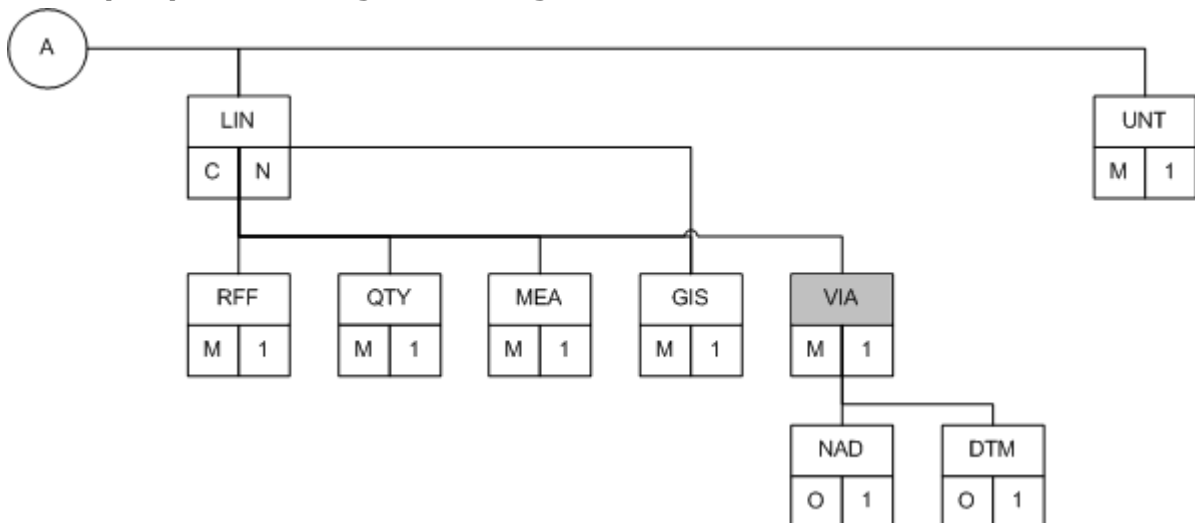
| (LIN) | EQD                               | EQUIPMENT DETAILS | O | 1      | CUSTOMS DECLARATION |
|-------|-----------------------------------|-------------------|---|--------|---------------------|
| 8053  | Equipment type code qualifier     |                   | M | an..3  | e.g. UL             |
| C237  | EQUIPMENT IDENTIFICATION          |                   | C |        |                     |
| 8260  | Equipment identifier              |                   | M | an..17 | e.g. ULD identifier |
| 1131  | Code list identification code     |                   | C | an..17 | -                   |
| 3055  | Code list responsible agency code |                   | C | an..3  | -                   |
| 3027  | Country identifier                |                   | C | an..3  | -                   |
| C224  | EQUIPMENT SIZE AND TYPE           |                   | C |        |                     |
| 8077  | Equipment supplier code           |                   | C | an..3  | -                   |
| 8249  | Equipment status code             |                   | C | an..3  | -                   |
| 8169  | Full or empty indicator code      |                   | C | an..3  | -                   |
| 4233  | Marking instructions code         |                   | C | an..3  | -                   |

### 3.2.16 (LIN) GEI Processing Information



| (LIN) | GEI                                   | PROCESSING INFORMATION | M | 1      | CUSTOMS DECLARATION              |
|-------|---------------------------------------|------------------------|---|--------|----------------------------------|
| 9649  | Processing information code qualifier |                        | M | an..3  | "5" Consignment type information |
| C012  | PROCESSING INDICATOR                  |                        | C |        |                                  |
| 7365  | Processing indicator description code |                        | C | an..3  | -                                |
| 1131  | Code list identification code         |                        | C | an..17 | -                                |
| 3055  | Code list responsible agency code     |                        | C | an..3  | -                                |
| 7364  | Processing indicator description      |                        | C | an..35 | Customs Document Type (O,an1)    |
| 7187  | Process type description code         |                        | C | an..17 | -                                |

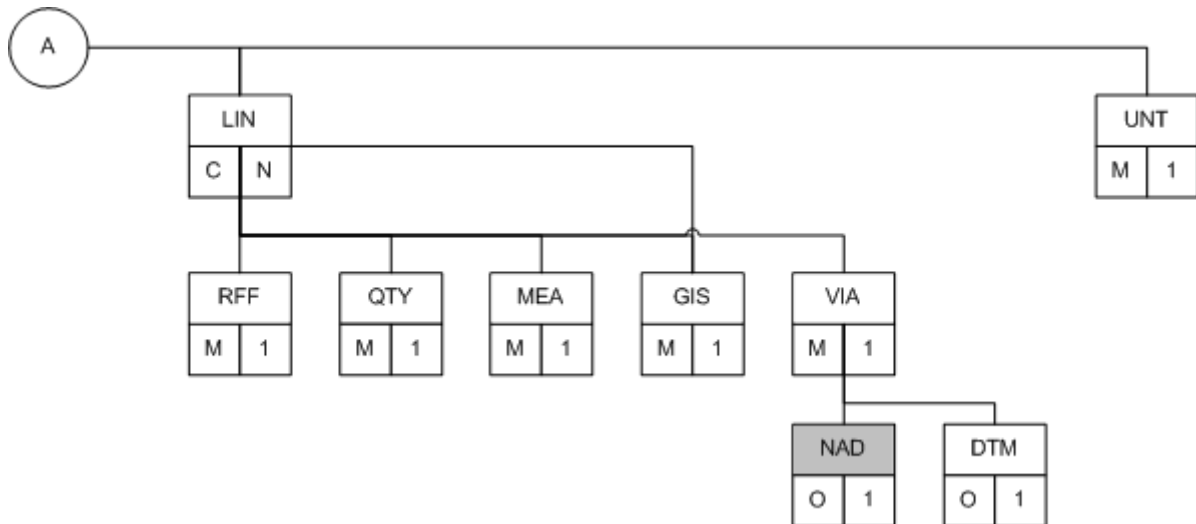
### 3.2.17 (LIN) VIA Voorafgaande Aangifte



| (LIN) | VIA | VOORAFGAANDE AANGIFTE | O | 1 | CUSTOMS DECLARATION |
|-------|-----|-----------------------|---|---|---------------------|
|-------|-----|-----------------------|---|---|---------------------|

|      |                              |   |        |                                       |
|------|------------------------------|---|--------|---------------------------------------|
| E468 | PREVIOUS DECLARATION DETAILS | M |        |                                       |
| 1837 | Type Document                | C | an1    | Customs Document Type (0,an1)         |
| 1823 | Type Document                | M | an..5  | Customs Declaration Type (R,an..5)    |
| 1804 | Serial number                | M | an..35 | Customs Declaration Number (R,an..35) |
| 1802 | Article number               | C | an..2  |                                       |
| 7823 | Mutation Indicator           | C | an1    |                                       |
| E453 | DECLARATION DATE             | C |        |                                       |
| 2804 | Date                         | C | n6     |                                       |
| 7823 | Mutation Indicator           | C | an1    |                                       |
| E454 | AANTAL COLLI                 | C |        |                                       |
| 6800 | Number of colli              | C | n..6   |                                       |
| 7823 | Mutation Indicator           | C | an1    |                                       |
| E455 | GROSS WEIGHT                 | C |        |                                       |
| 6806 | Gross weight                 | C | n..12  |                                       |
| 7823 | Mutation Indicator           | C | an1    |                                       |
| E456 | NETT WEIGHT                  | C |        |                                       |
| 6810 | Nett weight                  | C | n..12  |                                       |
| 7823 | Mutation Indicator           | C | an1    |                                       |
| E457 | DECREASE                     | C |        |                                       |
| 6807 | Measurement unit             | C | n3     |                                       |
| 6816 | Quantity                     | C | n..13  |                                       |
| 7823 | Mutation Indicator           | C | an1    |                                       |

### 3.2.18 (LIN-VIA) NAD Name and Address

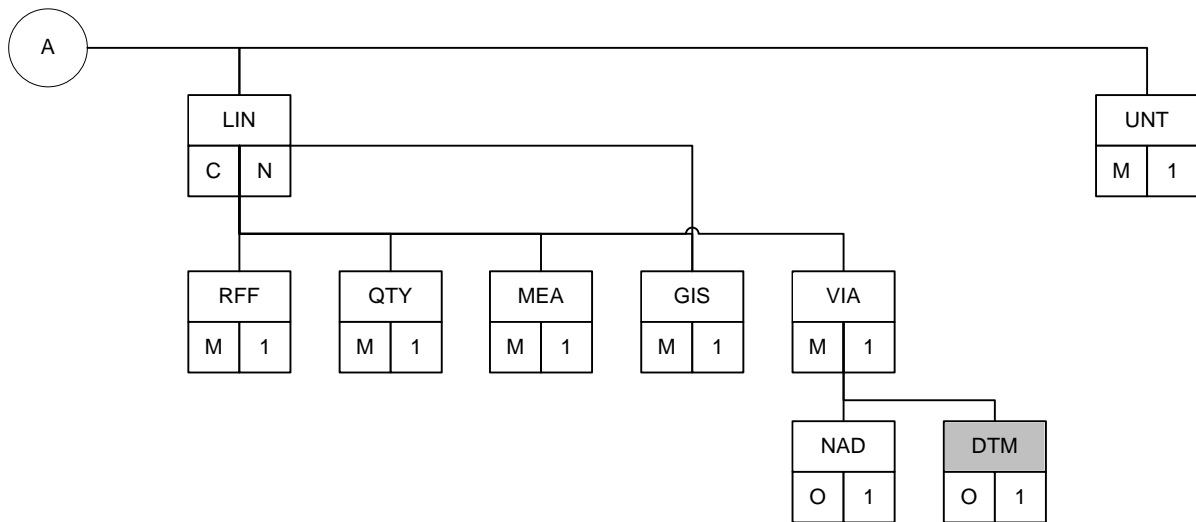


(LIN-VIA) NADNAME/ADDRESS 0 1 CUSTOMS DECLARATION

|      |                                   |   |        |                          |
|------|-----------------------------------|---|--------|--------------------------|
| 3035 | PARTY FUNCTION CODE QUALIFIER     | M | an..3  | "AM" Authorized official |
| E082 | PARTY IDENTIFICATION DETAILS      | C |        |                          |
| 3039 | Party identifier                  | M | an..35 |                          |
| 1131 | Code list identification code     | C | an..17 |                          |
| 3055 | Code list responsible agency code | C | an..3  |                          |
| E058 | NAME AND ADDRESS                  | C |        |                          |
| 3124 | Name and address description      | M | an..35 |                          |
| 3124 | Name and address description      | C | an..35 |                          |
| 3124 | Name and address description      | C | an..35 |                          |
| 3124 | Name and address description      | C | an..35 |                          |
| 3124 | Name and address description      | C | an..35 |                          |
| E080 | PARTY NAME                        | C |        |                          |
| 3036 | Party name                        | M | an..35 |                          |
| 3036 | Party name                        | C | an..35 |                          |
| 3036 | Party name                        | C | an..35 |                          |
| 3036 | Party name                        | C | an..35 |                          |
| 3036 | Party name                        | C | an..35 |                          |

|      |   |   |        |
|------|---|---|--------|
| 3045 | Party name format code                          | C | an..3  |
| 0059 | STREET  | C |        |
| 3042 | Street and number or post office box identifier | M | an..35 |
| 3042 | Street and number or post office box identifier | C | an..35 |
| 3042 | Street and number or post office box identifier | C | an..35 |
| 3042 | Street and number or post office box identifier | C | an..35 |
| 3164 | CITY NAME                                       | C | an..35 |
| 0819 | COUNTRY SUB ENTITY DETAILS                      | C |        |
| 3229 | Country sub entity name code                    | C | an..9  |
| 1131 | Code list identification code                   | C | an..17 |
| 3055 | Code list responsible agency code               | C | an..3  |
| 3228 | Country sub entity name                         | C | an..70 |
| 3251 | POSTAL IDENTIFICATION CODE                      | C | an..17 |
| 3207 | COUNTRY NAME CODE                               | C | an..3  |

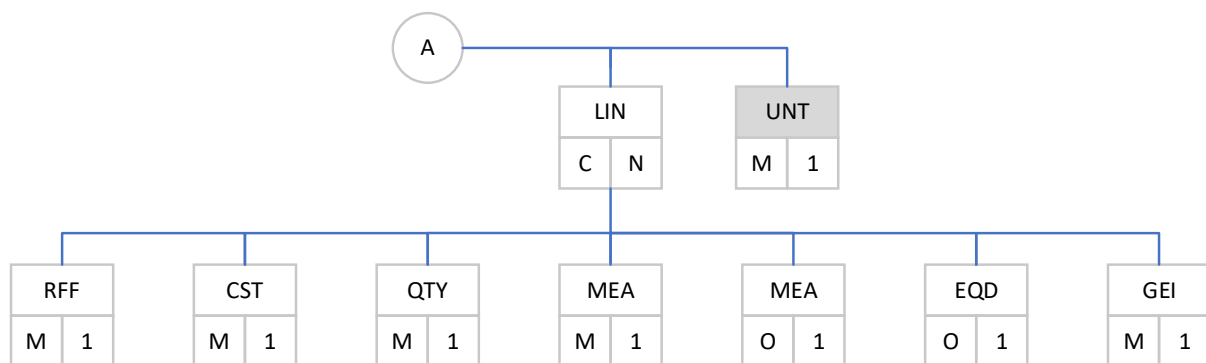
### 3.2.19 (LIN VIA) DTM Date/Time



|                         |     |                     |
|-------------------------|-----|---------------------|
| (LIN VIA) DTM DATE/TIME | O 1 | CUSTOMS DECLARATION |
|-------------------------|-----|---------------------|

|      |                                      |   |   |
|------|--------------------------------------|---|---|
| 0507 | DATE/TIME/PERIOD                     | M |   |
| 2005 | Date or time or period function code | M | an..3 "254" Registration date prev. decl. |
|      | qualifier                            | M | an..3                                     |
| 2380 | Date or time or period value         | C | an..35 Date Declaration (0, n8)           |
| 2379 | Date or time or period format code   | C | an..3 "102" (format ccyymmdd)             |

### 3.2.20 UNT Message Trailer



|     |                 |     |
|-----|-----------------|-----|
| UNT | MESSAGE TRAILER | M 1 |
|-----|-----------------|-----|

|      |        |   |                                 |   |
|------|--------|---|---------------------------------|---|
| 0074 | n..10  | M | NUMBER OF SEGMENTS IN A MESSAGE | The number of segments in the message including UNH and UNT                     |
| 0062 | an..14 | M | MESSAGE REFERENCE NUMBER        | The unique reference of this message needs to be similar to element 0062 in UNH |

## 4. Code tables

### 4.1 C1 Cargonaut participant code

This is a non-public file. The needed codes will be made available to the individual ECSHUB users.

### 4.2 C2 Goods Reference type

| Type | Definition   |
|------|--|
| AWB  | (Master) Air Waybill                                 |
| HWB  | House Waybill  |
| ABU  | Article Number                                       |
| REF  | Reference number "separate additional declaration"   |
| TBD  | Transit Accompanying Document                        |
| TIR  | Article Number                                       |
| ADM  | Remaining documents simplified declaration procedure |

### 4.3 C3 Customs Declaration type

For export related messages (ENO): See Code table A28 Document type ECS Outgoing.

- [https://www.belastingdienst.nl/codeboek\\_sagitta/huidig/html/tabel-codeboek%20sagitta%2C%20onderdeel%20algemeen-a28.html](https://www.belastingdienst.nl/codeboek_sagitta/huidig/html/tabel-codeboek%20sagitta%2C%20onderdeel%20algemeen-a28.html)

For import related messages (INO): see Code table T03 and 013

- [https://www.belastingdienst.nl/codeboek\\_sagitta/huidig/html/tabel-codeboek%2C%20onderdeel%20aangiftebehandeling-t03.html](https://www.belastingdienst.nl/codeboek_sagitta/huidig/html/tabel-codeboek%2C%20onderdeel%20aangiftebehandeling-t03.html)
- [https://www.belastingdienst.nl/codeboek\\_sagitta/huidig/html/tabel-codeboek%20sagitta%2C%20onderdeel%20transit-013.html](https://www.belastingdienst.nl/codeboek_sagitta/huidig/html/tabel-codeboek%20sagitta%2C%20onderdeel%20transit-013.html)

Additionally:

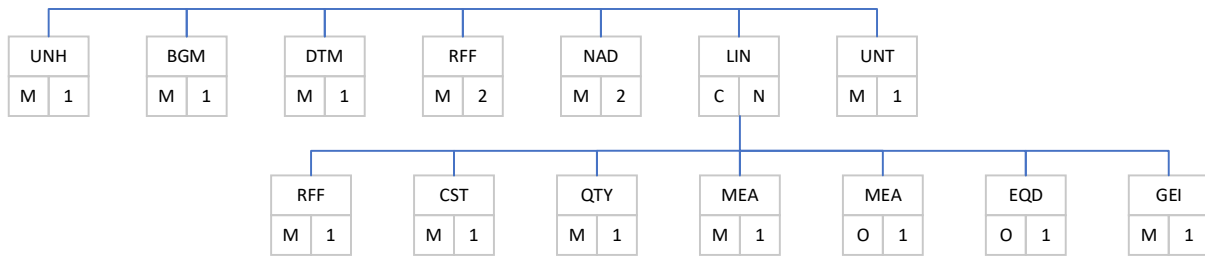
- In case no customs regulation applies for the shipment
  - o And in case of an ENO: '00' can be used
  - o And in case of an INO: '01' can be used
- In case of transfer from or to entrepot: 219 can be used

### 4.4 C4 Customs Document type

M Message Send Arrival at Exit message or Exit Summary Declaration message.

## 5. Appendix

### 5.1 Edifact message diagram



### 5.2 Edifact message specification