



Final

ECS Shifted Inspections
**Message
Implementation
Guidelines - 758**

Cargonaut Nederland B.V.

Version: 2.0

Date: 09-03-2023

Message Implementation Guidelines - 758

ECS Shifted Inspections

Document Identification

Document title Message Implementation Guidelines - 758
 Version 2.0
 Version Date 09-03-2023
 Status Final
 Document Owner Amsterdam Airport Schiphol
 Filename MIG.758 version 2 - English v2.0.docx

Document Version Control

Version	Date	Author/Contributor	Description of change(s)
0.1	01-05-2008	Leo Kronenburg	initial version
0.2	01-10-2008	Leo Kronenburg	Version 2 of the message
0.3	26-01-2012	Sofie Kempeneer	Translation of the document
0.4	27-01-2012	Sofie Kempeneer	Alignment with EDIFact document
0.5	29-01-2012	Sofie Kempeneer	Addition to Error code table
1.0	30-01-2012	Sofie Kempeneer	Version for distribution to Software Suppliers
2.0	09-03-2023	Ruud Bruijn	Adjustments to support AES

Document Distribution and review

Version	Date	Name	Position/Responsibility
1.0	30-01-2012	Monique Rous	Cargonaut, Sales

Related Documents

Document (and link)	Relationship
---------------------	--------------

Table of Contents

1. Introduction	4
2. Functional description	5
2.1 Hierarchy	5
2.2 Segments	5
2.3 Segment/Elements	6
2.3.1 Envelope	6
2.3.2 Message Header	6
2.3.3 Notification of Exit	6
2.3.4 Alert Details	7
2.3.5 Customs Declaration	7
3. Mapping to Edifact	9
3.1 Introduction	9
3.2 Segment mapping	9
3.2.1 UNB Interchange Header	9
3.2.2 UNH Message Header	10
3.2.3 BGM Beginning of Message	10
3.2.4 DTM Date/Time	11
3.2.5 RFF Reference (1)	11
3.2.6 RFF Reference (2)	11
3.2.7 NAD Name and Address (1)	12
3.2.8 NAD Name and Address (2)	13
3.2.9 ERC Application Error Information	13
3.2.10 (LIN) Line Item	14
3.2.11 (LIN) RFF Reference	14
3.2.12 (LIN) CST Customs status of goods	15
3.2.13 (LIN) QTY Quantity	15
3.2.14 (LIN) MEA Measurements (1)	15
3.2.15 (LIN) MEA Measurements (2)	16
3.2.16 (LIN) EQD Equipment details	17
3.2.17 (LIN) GEI Processing Information	17
3.2.18 (LIN) ERC Application Error Information	18
3.2.19 (LIN) VIA Voorafgaande aangifte	18
3.2.20 (LIN VIA) NAD Name and Address	19
3.2.21 (LIN VIA) DTM Date/Time	20
3.2.22 (LIN VIA) ERC Application Error Information	20
3.2.23 UNT Message Trailer	21
4. Codes explained	22
4.1 C1 Cargonaut Participant code	22
4.2 C2 Goods Reference type	22
4.3 C3 Customs Declaration type	22
4.4 C4 Customs Document type	22
4.5 C5 Error code	22
4.6 C6 Code list qualifier	23
4.7 C7 Code list Agency	23
5. Appendixes	24
5.1 EDIFact message diagram	24
5.2 Description of Inventory transaction types	24

1. Introduction

The goal of the "Exit Notification Alert" is to inform the participants on problems regarding customs information. Each participant receives a "Exit Notification Alert" as long as they haven't opted-out for this alert. The Opt-out can be done via Cargonaut customer service. With this "Exit Notification Alert" traders at exit know that the FWB, FZB or FHL information still needs to be sent, followed by a "Exit Notification" (755) or by means of the ECS Web portal. The "Exit Notification Alert" is sent by Cargonaut to the Trader at exit in several situations:

1. An expeditor, being a DGVS participant, does a TransferTo (See 5.2 for the translated terms). At the moment that Cargonaut wants to create the ECS manifest and wants to process the DVZ TransferTo but the customs information is missing, an "Exit Notification Alert" (758) will be sent to the expeditor. In the "Exit Notification Alert" will be indicated that the Air waybill is missing the WriteIn information.
To prevent this problem, the Trader at Exit sends the AWB or HWB information and provides an ENO for the shipment. This can't be done via DGVS, to prevent double WriteIn, so the web portal or a 755 message needs to be used.
2. A Trader at Exit, being a DGVS participant, does a TransferTo (750) with Customs Document Type = 'M' and Customs Declaration Type = '821'. Cargonaut will in this case send an "Exit Summary Declaration" in name of the Trader at Exit. If Customs replies to this message with a 'Functional Error' message, Cargonaut will send an "Exit Notification Alert" to the Trader at Exit. The error code that is used in this "Exit Notification Alert" will be the error code as communicated by Customs. To resolve this problem, the Trader at Exit will send the corrected AWB or HWB and provides an ENO (755) for the shipment.
3. A Trader at Exit provides an ENO (755) with Customs Document Type = 'M' and Customs Declaration Type = '821'. Cargonaut will in this case send an "Exit Summary Declaration" in name of the Trader of Exit. If Customs replies to this message with a 'Functional Error' message, Cargonaut will send an "Exit Notification Alert" to the Trader at Exit. In this message all information as completed in the ENO will be repeated, except the information to which the error code relates. This information will be transferred as an 'Error-segment' with the error code as communicated by Customs. To resolve this problem, the Trader at Exit will send the corrected AWB or HWB and provides an ENO (755) for the shipment.

Additions to the previous version are marked in **purple** text. Elements which are no longer valid, have been marked with ~~strikethrough~~.

2. Functional description

This chapter contains the functional description of the message "Exit Notification Alert" (758).

Paragraph Hierarchy gives the functional structure of the message.

In capital letters the name of the corresponding segments is given. The relation between segments is clarified by the sequence and the aligning from the left.

For each segment the number of occurrences (min /max) is given. In case of no occurrence limit the description is left out. A segment can be mandatory (M), optional (O) or conditional (C).

Paragraph Segments gives a short description of the contents and function of each segment and additional information on relationships.

Paragraph Segment/Elements consists of a full description of all data-elements of the segments.

By element the following information is described:

- The unique name of the element.
- An element can be mandatory (M), optional (O) or conditional (C).

The format of the element:

a	all letters of the alphabet are allowed; (a-z, A-Z)
n	all numbers are allowed; (0-9)
an	all alphanumeric characters are allowed; (a-z, A-Z, 0-9)
2	the fixed length the string should be
..8	the maximum length a string is allowed to be
n..11,2	Up to 11 positions before the separator and 2 positions after
n...11,..3	Up to 11 positions before the separator and up to three after
CC	decennium
YY	year
MM	month
DD	day
UU	hour (00-23)
MM	minutes
SS	seconds
IIIII	milliseconds

Condition: The conditions in regards to conditional given element.

Rule: Additional rules in regards to the use and/or completion of the element.

Code list: The reference to the (mandatory) code list to be used to complete the element.

Note: Additional remarks to clarify the completion of the element.

2.1 Hierarchy

ENVELOPE	1..1, M
MESSAGE HEADER	1..1, M
NOTIFICATION OF EXIT	1..1, M
ALERT DETAILS	1..1, O
CUSTOMS DECLARATION	1..99,O
ALERT DETAILS	1..1, O

2.2 Segments

The segment "envelop" always occurs and just but one time. It contains the unique identifiers of the involved participants.

The segment "message header" always occurs and just but one time. It contains the unique identifiers of the ECS transaction.

The segment "Notification of Exit" always occurs, and determines the nature and the moment of the transaction and consists of identification and the particularities of the shipment of this transaction.

The segment "Customs Declaration" has a maximum of 99 occurrences per "Notification of Exit" and consists of identification of the previous TransferFrom shipments and customs formalities.

The segment "Alert details" occurs once a "Notification of Exit" or once a "Customs Declaration" and contains the information on the observed problem for the segment.

2.3 Segment/Elements

2.3.1 Envelope

Sender code M an3

The unique code of the sender of the message.

Rule: This code will always be "ECS".

Addressee code M an3

The unique code of the addressee of the message.

Code list: C1 Cargonaut participant code

Rule: The addressee needs to be a participant of Cargonaut Export Control System.

2.3.2 Message Header

Type message M n3

The unique code of the message.

Rule: This code will always be "758".

Version Number Message M n..2

The version number of the message.

2.3.3 Notification of Exit

Date time transaction O n12

The date and time on which the export movement to the handler took place.

Rule1: The time has to be previous to the message transaction time.

Rule2: The field "hours" must be greater than or even to "0" and smaller than or even to "23."

Format: CCYYMMDDUUMM (See description of this higher under section)

Reporting party O an3

The unique code of the sender of the "Notification of Exit" message.

Code list: C1 Cargonaut participant code

Rule: The sender needs to be a participant of Cargonaut Export Control System.

Ship to party M an3

The unique code of the receiver of the message.

Code list: C1 Cargonaut participant code

Rule: The Ship to party needs to be a participant and handler of Cargonaut Export Control System.

Trader reference number O n11

The unique reference number of the "Exit Notification" message. The Trader Reference Number is unique for each ECS participant.

Format: CCYYNNNNNNNN

Rule: The reference is unique per sender of the message.

Airline prefix and Air waybill number M n11

The unique reference of the airway bill on which the goods are being shipped.

Format: PPPNNNNNNNN

PPP Airline prefix

NNNNNNNN Airway bill number

2.3.4 Alert Details

Error code M an..5

A unique code to define the nature of the observed problem.

Code list: C5 Alert Errors

Code list qualifier M an..3

A unique code identifying the used code list.

Code list: C6 Code list Identifier

Code list responsible agency code M an..3

A unique code identifying the owner of the code list.

Code list: C7 Code list Agency

2.3.5 Customs Declaration

Sequence number M n6

unique sequence number of the declaration and the shipments information linked to this declaration.

Goods reference type M an3

Unique code defining in which kind of shipment the goods were received.

Code list: C2 Goods Reference type

Goods Reference number M an..15

The unique number to which the declaration is being linked. At the moment of declaration the goods are being shipped under this number.

Quantity M n..9

The quantity of goods related to the Unit of Measure code.

Rule: Must be greater than 0.

Quantity discrepancy O an3

Indicates that the sender of the message wants to inform Customs about a discrepancy related to the quantity of goods mentioned in the original declaration regarding an outbound shipment. The discrepancy will be processed in the AAX¹.

Unit of Measure code M an3

Code to define the unit of measure.

Note: Only the code "COL" (= package) is allowed.

Weight gross M n..7.2

The gross weight of the goods in whole kilograms.

Rule: Must be greater than 0.

Weight gross discrepancy O an3

Indicates that the sender of the message wants to inform Customs about a discrepancy related to the gross weight mentioned in the original declaration regarding an outbound shipment. The discrepancy will be processed in the AAX.

¹ AAX (Arrival at exit): a message in which the Office of Exit is notified about the arrival of goods as declared in an export declaration and about the location of temporary storage of these goods.

Weight net O n..7.2

The number of whole kilos (consignment weight net).

Rule: Must be greater than 0.

Weight net discrepancy O an3

Indicates that the sender of the message wants to inform Customs about a discrepancy related to the net weight mentioned in the original declaration regarding an outbound shipment. The discrepancy will be processed in the AAX.

~~*NEU goods identification* M a1~~

~~Indicator if the goods are under Customs supervision of not.~~

~~Rule: Y if the goods are under Customs supervision~~

~~N if the goods are not under Customs supervision~~

Goods item number O an..5

Unique number connected to a goods item. The goods are transported under this number at the declaration moment. Only to be filled in in case of a discrepancy.

Transport equipment identification O an..17

Marks (letters and/or numbers) identifying equipment e.g. a unit load device. Only to be provided if the goods are (re)packed on a (new) ULD. This will be processed in the AAX as a discrepancy

Customs Document Type O an1

A code which indicates if for the related declaration a "Arrival of Exit" message (for Customs Declaration Type "EX", "CO" or "EU") or a "Exit Summary Declaration" message (for Customs Declaration Type "821") needs to be sent to ECS.

Code list: C4 Customs Document Type

Customs Declaration Type M an..5

A code indicating with which type of declaration the WriteIn has been done.

Code list: C3 Customs Declaration Type

Customs Declaration number M an...35

The number of the declaration used for these goods.

If Customs Declaration Type is 'EX', 'CO', 'EU' or '821' and the Customs Document Type is 'M', then this element will be completed with the MRN number. The MRN number is 18 characters long and needs to comply with the 'check character algorithm' of the European Union.

~~*City Declaration* O an..17~~

~~The location where the declaration has been done.~~

~~*Date Declaration* O n8~~

~~The date when the declaration has been done.~~

~~Format: CCYYMMDD~~

3. Mapping to Edifact

3.1 Introduction

This chapter describes how the elements of the segments in the messages are mapped to the EDIFact structure.

The mappings are described in the sequence of the EDIFact segments in the below diagrams and schemes. The diagram details the following information:

- in grey the segment of the focus
- three letter code of the segment-tag
- indicator mandatory/optional/conditional
- number of occurrences of the segment (min/max)
- position of the segment in the overall structure of the message

In the scheme the details information on the mapping of the segments to elements:

The left side of the scheme lists the complete list of elements in the EDIFact segment. In the header we see the name of the segment, the segment identification or segment-tag and the position of the segment compared to the hierarchical previous segments.

e.g. BGM-NAD[CN] (LOC) : the LOC segment is a part of the NAD segment with qualifier [CN] , which is a part of segment BGM.

The right side of the scheme lists the elements and the completion of these. For completion of the elements one of the following will be provided:

- A short description of the information that needs to fill the elements.
- A hyphen "-" indicates that the element remains empty.
- If the element needs to be completed with a constant value, the value is indicated between "".

Important to notice is that this message structure contains three Edifact specific segments:

- UNB – Interchange header
- UNH – Message header
- UNT – Message trailer

The first two segments act as an sort of envelop. The last one is a check-up, you have to declare the number of segments. A message broker will count the number of segments and check if it is similar to the number in the UNT segment.

3.2 Segment mapping

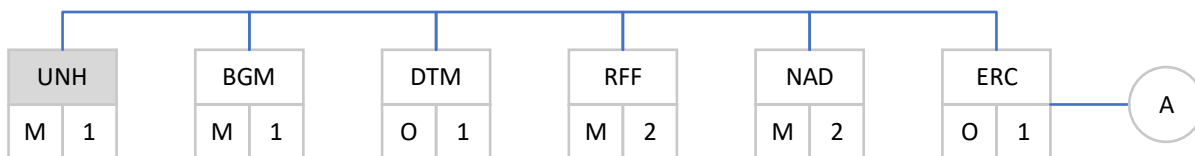
3.2.1 UNB Interchange Header

UNB	INTERCHANGE HEADER	M 1	ENVELOPE
-----	--------------------	-----	----------

S001	M	SYNTAX IDENTIFIER	
0001	a4	Syntax identifier	"UNOC"
0002	n1	Syntax version number	"3"
S002	M	INTERCHANGE SENDER	
0004	an..35	Sender identification	Sender code (M, an3)
0007	an..4	Partner identification code qualifier	
0008	an..14	Address for reverse routing	
S003	M	INTERCHANGE RECIPIENT	

0010	an..35	M	Recipient Identification	Addressee code (M, an3)
0007	an..4	C	Partner identification code qualifier	-
0014	an..14	C	Routing address	-
S004		M	DATE/TIME OF PREPARATION	
0017	n6	M	Date	Creation date of interchange (M, YYMMDD)
0019	n4	M	Time	Creation time of interchange (M, HHMM)
0020	an..14	M	INTERCHANGE CONTROL REFERENCE	Unique interchange reference
S005		C	RECIPIENTS REFERENCE, PASSWORD	
0022	an..14	M	Recipient's reference/password	-
0025	an2	C	Recipient's reference/password qualifier	-
0026	an..14	C	APPLICATION REFERENCE	-
0029	a1	C	PROCESSING PRIORITY CODE	-
0031	n1	C	ACKNOWLEDGEMENT REQUEST	-
0032	an..35	C	COMMUNICATIONS AGREEMENT ID	-
0035	n1	C	TEST INDICATOR	-

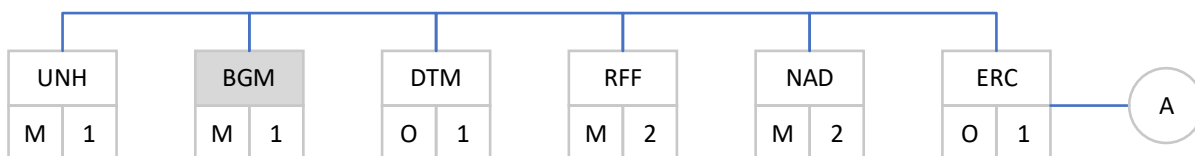
3.2.2 UNH Message Header



UNH	MESSAGE HEADER	M 1	MESSAGE HEADER
-----	----------------	-----	----------------

0062	an..14	M	MESSAGE REFERENCE NUMBER	Unique reference for this message
S009		M	MESSAGE IDENTIFIER	
0065	an..6	M	Message type	"758"
0052	an..3	M	Message version number	"2"
0054	an..3	C	Message release number	-
0051	an..2	C	Controlling agency	-
0057	an..6	C	Association assigned code	-
0068	an..35	C	COMMON ACCESS REFERENCE	-
S010		C	STATUS OF THE TRANSFER	
0070	n..2	M	Sequence of transfers	-
0073	a1	C	First and last transfer	-

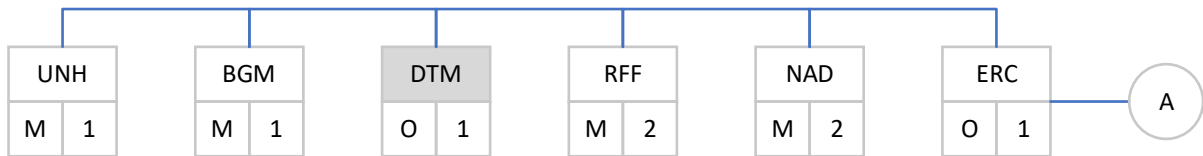
3.2.3 BGM Beginning of Message



BGM	BEGINNING OF MESSAGE	M 1	NOTIFICATION OF EXIT
-----	----------------------	-----	----------------------

C002	DOCUMENT/MESSAGE NAME	C		
1001	Document name code	C	an..3	"833" Cargo declaration (departure)
1131	Code list identification code	C	an..17	-
3055	Code list responsible agency code	C	an..3	-
1000	Document name	C	an..35	-
C106	DOCUMENT/MESSAGE IDENTIFICATION	C		
1004	Document identifier	C	an..35	-
1056	Version identifier	C	an..9	-
1060	Revision identifier	C	an..6	-
1225	MESSAGE FUNCTION CODE	C	an..3	-
4343	RESPONSE TYPE CODE	C	an..3	-

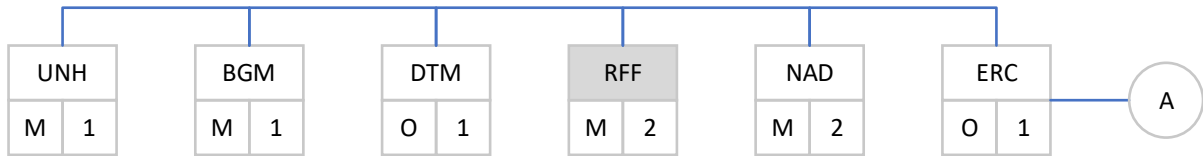
3.2.4 DTM Date/Time



DTM	DATE/TIME	O 1	NOTIFICATION OF EXIT
-----	-----------	-----	----------------------

C507	DATE/TIME/PERIOD	M		
2005	Date or time or period function code qualifier	M	an..3	"184" Date/time of notification
2380	Date or time or period value	C	an..35	Date time of notification (M, n12)
2379	Date or time or period format code	C	an..3	"203" (format ccyyymmduumm)

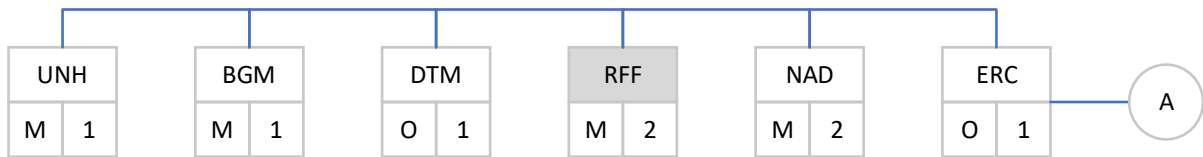
3.2.5 RFF Reference (1)



RFF	REFERENCE	M 1	NOTIFICATION OF EXIT
-----	-----------	-----	----------------------

C506	REFERENCE	M		
1153	Reference code qualifier	M	an..3	"ACD" Additional reference number (M, a3)
1154	Reference identifier	C	an..70	Trader reference number (M, n11)
1156	Document line identifier	C	an..6	-
4000	Reference version identifier	C	an..35	-
1060	Revision identifier	C	an..6	-

3.2.6 RFF Reference (2)



RFF	REFERENCE	M 1	NOTIFICATION OF EXIT
-----	-----------	-----	----------------------

C506	REFERENCE	M		
1153	Reference code qualifier	M	an..3	"AWB" Air waybill number (M, a3)

1154	Reference identifier	C	an..70	Airline prefix & Air waybill nr. (M, n11)
1156	Document line identifier	C	an..6	-
4000	Reference version identifier	C	an..35	-
1060	Revision identifier	C	an..6	-

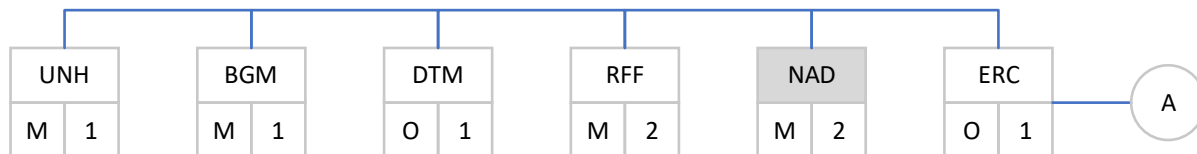
3.2.7 NAD Name and Address (1)



NAD	NAME/ADDRESS	M 1	NOTIFICATION OF EXIT
-----	--------------	-----	----------------------

3035	PARTY FUNCTION CODE QUALIFIER	M	an..3	"GY" Inventory reporting party
C082	PARTY IDENTIFICATION DETAILS	C		
3039	Party identifier	M	an..35	Cargonaut code for reporting party (M, an3)
1131	Code list identification code	C	an..17	-
3055	Code list responsible agency code	C	an..3	-
C058	NAME AND ADDRESS	C		
3124	Name and address description	M	an..35	-
3124	Name and address description	C	an..35	-
3124	Name and address description	C	an..35	-
3124	Name and address description	C	an..35	-
3124	Name and address description	C	an..35	-
C080	PARTY NAME	C		
3036	Party name	M	an..35	-
3036	Party name	C	an..35	-
3036	Party name	C	an..35	-
3036	Party name	C	an..35	-
3036	Party name	C	an..35	-
3045	Party name format code	C	an..3	-
C059	STREET	C		
3042	Street and number or post office box identifier	M	an..35	-
3042	Street and number or post office box identifier	C	an..35	-
3042	Street and number or post office box identifier	C	an..35	-
3042	Street and number or post office box identifier	C	an..35	-
3164	CITY NAME	C	an..35	-
C819	COUNTRY SUB-ENTITY DETAILS	C		
3229	Country sub-entity name code	C	an..9	-
1131	Code list identification code	C	an..17	-
3055	Code list responsible agency code	C	an..3	-
3228	Country sub-entity name	C	an..35	-
3251	POSTAL IDENTIFICATION CODE	C	an..17	-
3207	COUNTRY NAME CODE	C	an..3	-

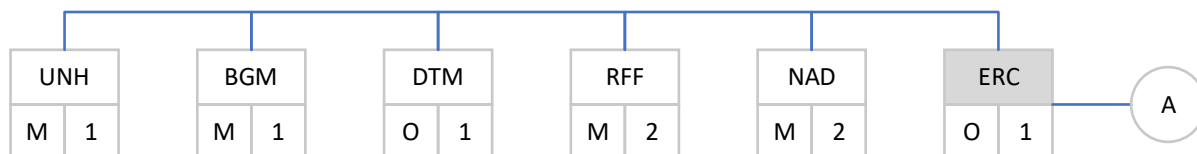
3.2.8 NAD Name and Address (2)



NAD	NAME/ADDRESS	M 1	NOTIFICATION OF EXIT
-----	--------------	-----	----------------------

3035	PARTY FUNCTION CODE QUALIFIER	M	an..3	"ST" Ship to party
C082	PARTY IDENTIFICATION DETAILS	C		
3039	Party identifier	M	an..35	Cargonaut code for ship to party (M, an3)
1131	Code list identification code	C	an..17	-
3055	Code list responsible agency code	C	an..3	-
C058	NAME AND ADDRESS	C		
3124	Name and address description	M	an..35	-
3124	Name and address description	C	an..35	-
3124	Name and address description	C	an..35	-
3124	Name and address description	C	an..35	-
3124	Name and address description	C	an..35	-
C080	PARTY NAME	C		
3036	Party name	M	an..35	-
3036	Party name	C	an..35	-
3036	Party name	C	an..35	-
3036	Party name	C	an..35	-
3036	Party name	C	an..35	-
3045	Party name format code	C	an..3	-
C059	STREET	C		
3042	Street and number or post office box identifier	M	an..35	-
3042	Street and number or post office box identifier	C	an..35	-
3042	Street and number or post office box identifier	C	an..35	-
3042	Street and number or post office box identifier	C	an..35	-
3164	CITY NAME	C	an..35	-
C819	COUNTRY SUB-ENTITY DETAILS	C		
3229	Country sub-entity name code	C	an..9	-
1131	Code list identification code	C	an..17	-
3055	Code list responsible agency code	C	an..3	-
3228	Country sub-entity name	C	an..35	-
3251	POSTAL IDENTIFICATION CODE	C	an..17	-
3207	COUNTRY NAME CODE	C	an..3	-

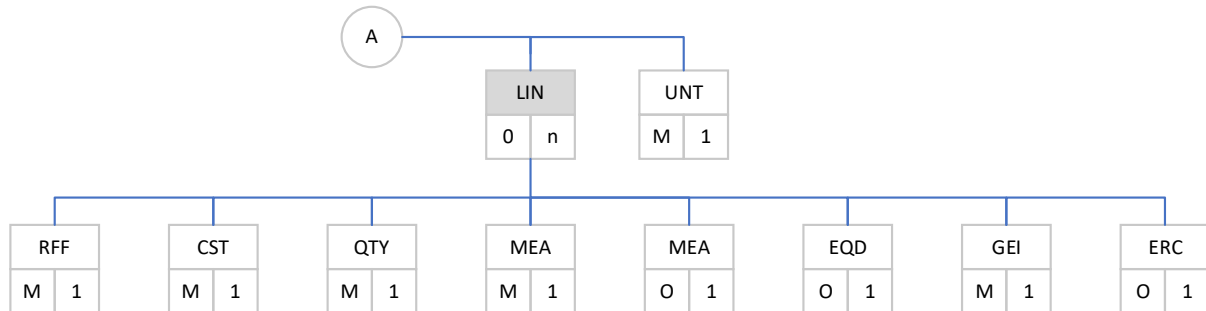
3.2.9 ERC Application Error Information



ERC	APPLICATION ERROR INFORMATION	O 1	ALERT DETAILS (NOTIFICATION OF EXIT)
-----	-------------------------------	-----	--------------------------------------

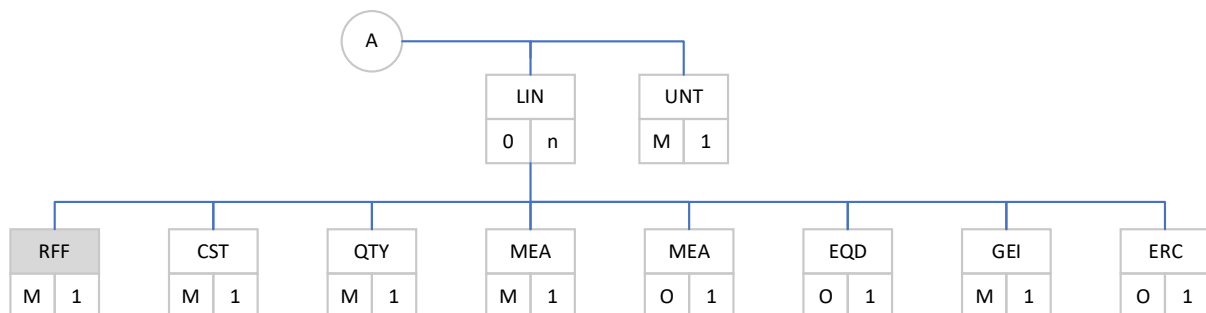
C	APPLICATION ERROR			
9321	Application error code	C	an..5	Error code (M, an..5)
1131	Code list identification code	C	an..17	Code list qualifier (M, an3)
3055	Code list responsible agency code	C	an..3	Code list Agency (M, an3)

3.2.10 (LIN) Line Item



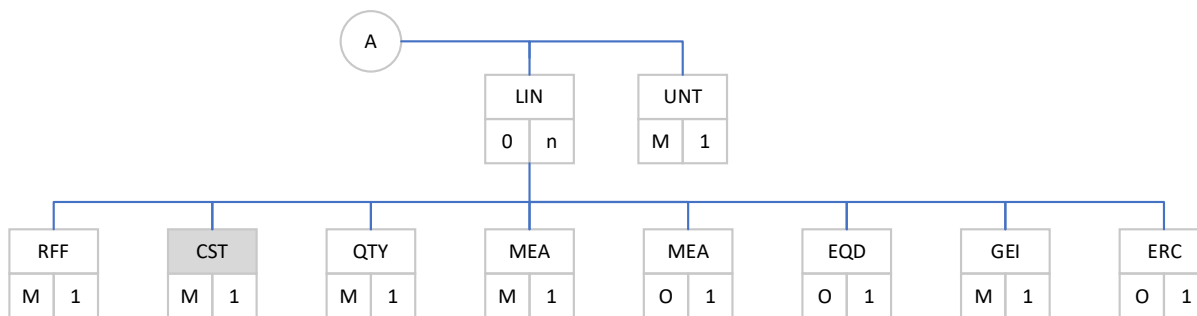
LIN	LINE ITEM	O n	CUSTOMS DECLARATION		
1082	LINE ITEM IDENTIFIER	C	an..6	Sequence nr. (M, n..6)	
1229	ACTION REQUEST/NOTIFIC. DESCR.CODE	C	an..3	-	
C212	ITEM NUMBER IDENTIFICATION	C			
7140	Item identifier	C	an..35	-	
7143	Item type identification code	C	an..3	-	
1131	Code list identification code	C	an..17	-	
3055	Code list responsible agency code	C	an..3	-	
C829	SUB-LINE INFORMATION	C			
5495	Sub-line indicator code	C	an..3	-	
1082	Line item identifier	C	an..6	-	
1222	CONFIGURATION LEVEL NUMBER	C	n..2	-	
7083	CONFIGURATION OPERATION CODE	C	an..3	-	

3.2.11 (LIN) RFF Reference



(LIN) RFF	REFERENCE	M 1	CUSTOMS DECLARATION		
C506	REFERENCE	M			
1153	Reference code qualifier	M	an..3	Goods reference type (R, an3)	
1154	Reference identifier	M	an..70	Goods reference number (R, an..15)	
1156	Document line identifier	C	an..6	-	
4000	Reference version identifier	C	an..35	-	
1060	Revision identifier	C	an..6	-	

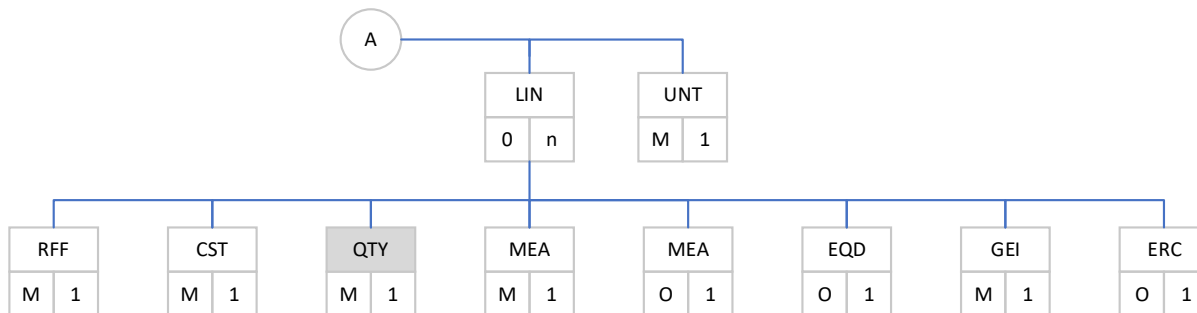
3.2.12(LIN) CST Customs status of goods



(LIN) CST	CUSTOMS STATUS OF GOODS	M 1	CUSTOMS DECLARATION
-----------	-------------------------	-----	---------------------

1496	Goods item number	C	an..6	Goods item number (M, an..5)
C246	CUSTOMS IDENTITY CODES	C		
7361	Customs goods identifier	M	an..18	Customs Declaration Number (M,an..35)
1131	Code list identification code	C	an..17	Customs Declaration Type (M,an..5)
3055	Code list responsible agency code	C	an..3	-

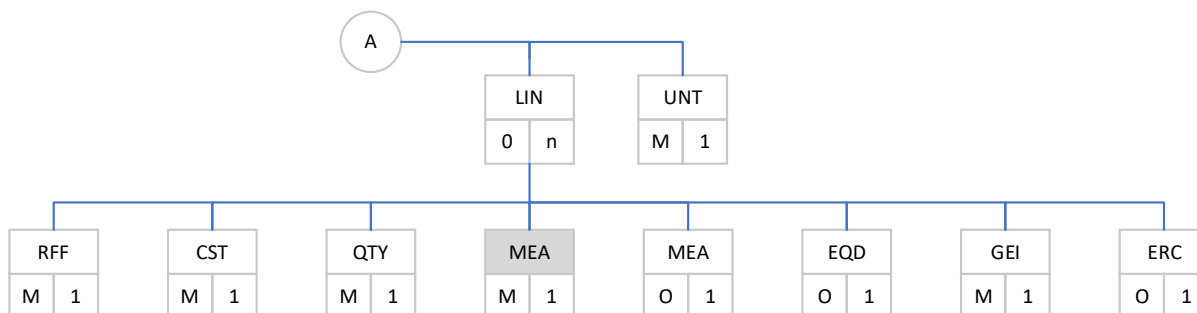
3.2.13(LIN) QTY Quantity



(LIN) QTY	QUANTITY	M 1	CUSTOMS DECLARATION
-----------	----------	-----	---------------------

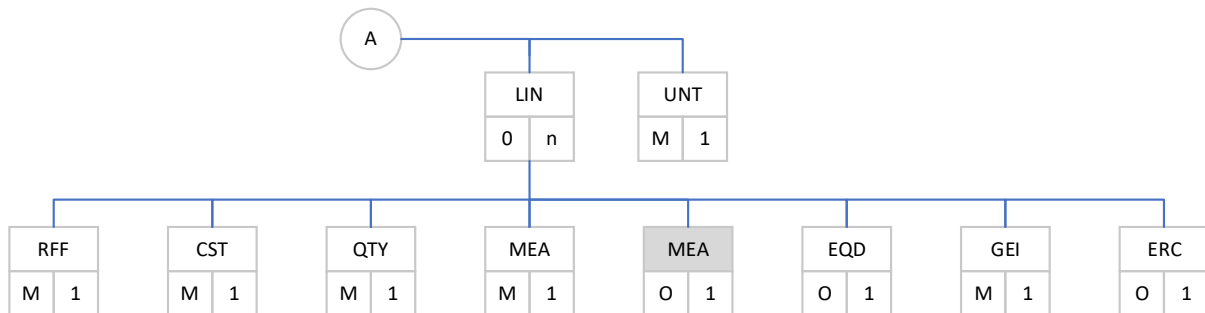
C186	QUANTITY DETAILS	M		
6063	Quantity type code qualifier	M	an..3	Quantity discrepancy ("156" in case of no discrepancy or "250" in case of discrepancy)
6060	Quantity	M	an..35	Quantity (M, n..9)
6411	Measurement unit code	M	an..3	Measurement unit code (M, an3)

3.2.14 (LIN) MEA Measurements (1)



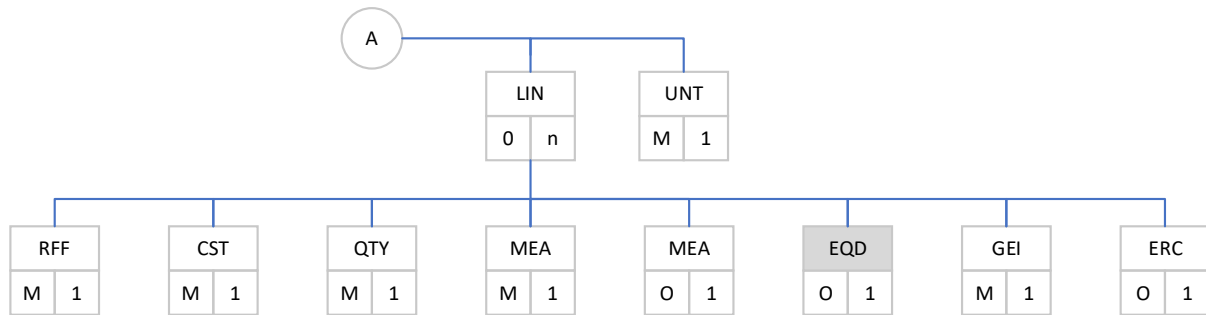
(LIN)	MEA	MEASUREMENTS	M	1	CUSTOMS DECLARATION
6311		MEASUREMENT PURPOSE CODE QUALIFIER	M	an..3	"AAF" Customs line item measurement
C502		MEASUREMENT DETAILS	C		
6313		Measured attribute code	M	an..3	"AAB" Unit gross weight
6321		Measurement significance code	C	an..3	"10" in case of weight gross discrepancy
6155		Non-discrete measurement name code	C	an..17	-
6154		Non-discrete measurement name	C	an..70	-
C174		VALUE/RANGE	C		
6411		Measurement unit code	M	an..3	"E4" gross kilogram
6314		Measurement value	M	an..18	Weight gross (M, n..7.2)
6162		Range minimum value	C	n..18	-
6152		Range maximum value	C	n..18	-
6432		Significant digits quantity	C	n..2	-
7383		SURFACE OR LAYER CODE	C	an..3	-

3.2.15(LIN) MEA Measurements (2)



(LIN)	MEA	MEASUREMENTS	O	1	CUSTOMS DECLARATION
6311		MEASUREMENT PURPOSE CODE QUALIFIER	M	an..3	"AAF" Customs line item measurement
C502		MEASUREMENT DETAILS	C		
6313		Measured attribute code	M	an..3	"AAA" Unit net weight
6321		Measurement significance code	C	an..3	"10" in case of weight net discrepancy
6155		Non-discrete measurement name code	C	an..17	-
6154		Non-discrete measurement name	C	an..70	-
C174		VALUE/RANGE	C		
6411		Measurement unit code	M	an..3	"58" net kilogram
6314		Measurement value	M	an..18	Weight gross (M, n..7.2)
6162		Range minimum value	C	n..18	-
6152		Range maximum value	C	n..18	-
6432		Significant digits quantity	C	n..2	-
7383		SURFACE OR LAYER CODE	C	an..3	-

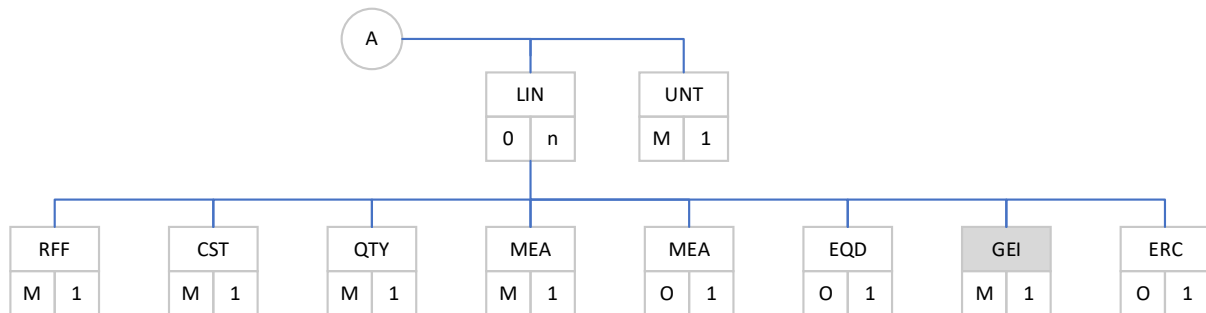
3.2.16 (LIN) EQD Equipment details



(LIN) EQD	EQUIPMENT DETAILS	O 1	CUSTOMS DECLARATION
-----------	-------------------	-----	---------------------

8053	Equipment type code qualifier	M	an..3	
C237	EQUIPMENT IDENTIFICATION	C		
8260	Equipment identifier	M	an..17	
1131	Code list identification code	C	an..17	-
3055	Code list responsible agency code	C	an..3	-
3027	Country identifier	C	an..3	-
C224	EQUIPMENT SIZE AND TYPE	C		
8077	Equipment supplier code	C	an..3	-
8249	Equipment status code	C	an..3	-
8169	Full or empty indicator code	C	an..3	-
4233	Marking instructions code	C	an..3	-

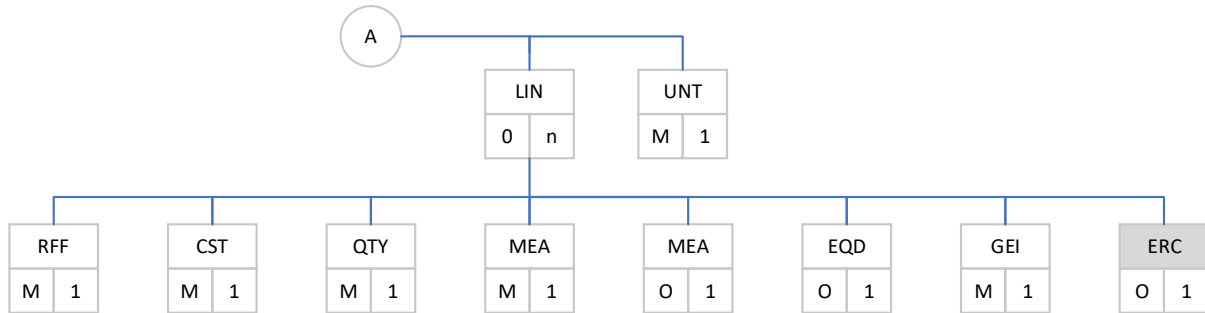
3.2.17(LIN) GEI Processing Information



(LIN) GEI	PROCESSING INFORMATIONM	M 1	CUSTOMS DECLARATION
-----------	-------------------------	-----	---------------------

9649	Processing information code qualifier	M	an..3	"5" Consignment type information
C012	PROCESSING INDICATOR	C		
7365	Processing indicator description code	C	an..3	-
1131	Code list identification code	C	an..17	-
3055	Code list responsible agency code	C	an..3	-
7364	Processing indicator description	C	an..35	Customs Document Type (O,an1)
7187	Process type description code	C	an..17	-

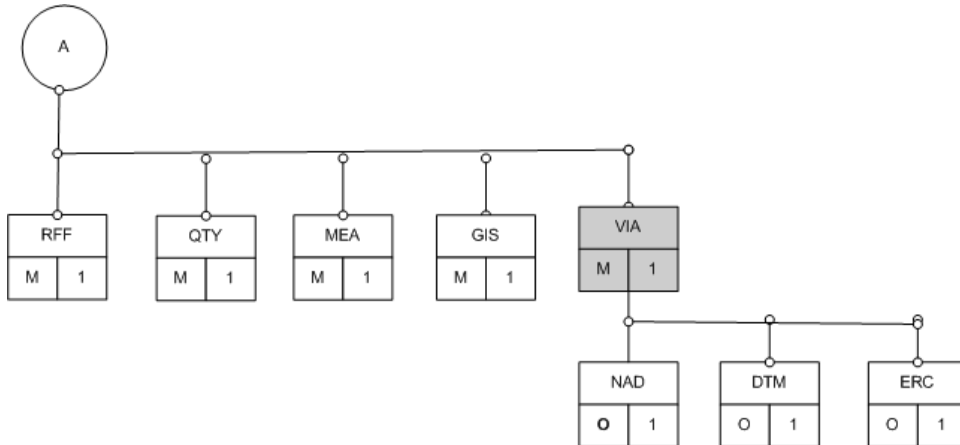
3.2.18(LIN) ERC Application Error Information



(LIN) ERC APPLICATION ERROR INFORMATION O 1 CUSTOMS DECLARATION (ALERT DETAILS)

C901	APPLICATION ERROR DETAIL	M		
9321	Application error code	M	an..8	Error code (M, an..5)
1131	Code list identification code	C	an..17	Code list qualifier (M, an3)
3055	Code list responsible agency code	C	an..3	Code list Agency (M, an3)

3.2.19(LIN) VIA Voorafgaande aangifte

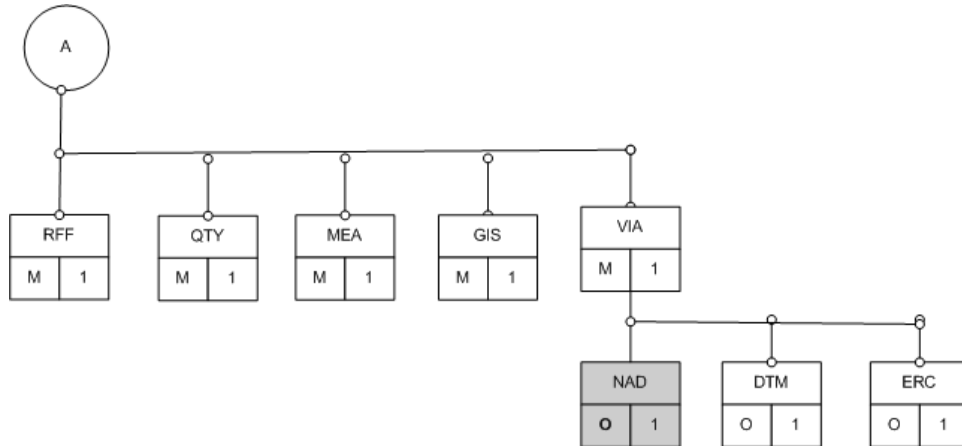


(LIN) VIA VOORAFGAANDE AANGIFTE O 1 PREVIOUS CUSTOMS DECLARATION

E468	VOORAFGAANDE AANGIFTE IDENTIFICATION	M		
1837	Type document	C	an1	Customs Document Type (O,an1)
1823	Soort Document	M	an..5	Customs Declaration Type (R,an..5)
1804	Volgnummer	M	an..35	Customs Declaration Number (R,an..35)
1802	Artikelnummer	C	an..2	
7823	Mutatie Indicator	C	an1	
E453	AANGIFTE DATUM	C		
2804	Datum	C	n6	
7823	Mutatie Indicator	C	an1	
E454	AANTAL COLLI	C		
6800	Aantal Colli	C	n..6	
7823	Mutatie Indicator	C	an1	
E455	BRUTO GEWICHT	C		
6806	Brutomassa	C	n..12	
7823	Mutatie Indicator	C	an1	

6456	NETTO GEWICHT	C	
6810	Nettomassa	C	n..12
7823	Mutatie Indicator	C	an1
6457	AFSCHRIJVINGSHOEVEELHEID	C	
6807	Maatstafsoort	C	n3
6816	Hoeveelheid	C	n..13
7823	Mutatie Indicator	C	an1

3.2.20 (LIN VIA) NAD Name and Address

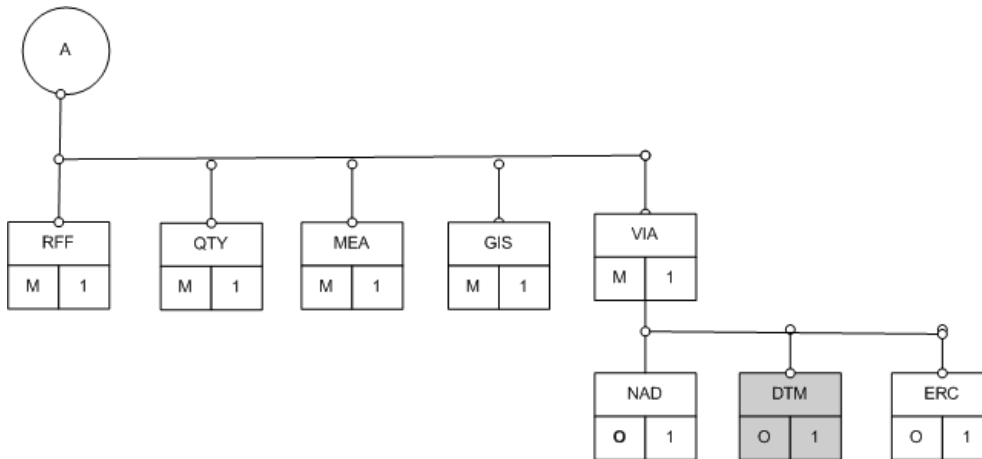


(LIN VIA) NADNAME/ADDRESS O 1 CUSTOMS DECLARATION

3035	PARTY FUNCTION CODE QUALIFIER	M	an..3	"AM" Authorized official
6082	PARTY IDENTIFICATION DETAILS	C		
3039	Party identifier	M	an..35	
1131	Code list identification code	C	an..17	
3055	Code list responsible agency code	C	an..3	
6058	NAME AND ADDRESS	C		
3124	Name and address description	M	an..35	
3124	Name and address description	C	an..35	
3124	Name and address description	C	an..35	
3124	Name and address description	C	an..35	
3124	Name and address description	C	an..35	
6080	PARTY NAME	C		
3036	Party name	M	an..35	
3036	Party name	C	an..35	
3036	Party name	C	an..35	
3036	Party name	C	an..35	
3036	Party name	C	an..35	
3036	Party name	C	an..35	
3045	Party name format code	C	an..3	
6059	STREET	C		
3042	Street and number or post office box identifier	M	an..35	
3042	Street and number or post office box identifier	C	an..35	
3042	Street and number or post office box identifier	C	an..35	
3042	Street and number or post office box identifier	C	an..35	

3164	CITY NAME	C	an..35	City Declaration (O ,an..17)
0819	COUNTRY SUB ENTITY DETAILS	C		
3229	Country sub entity name code	C	an..9	
1131	Code list identification code	C	an..17	
3055	Code list responsible agency code	C	an..3	
3228	Country sub entity name	C	an..35	
3251	POSTAL IDENTIFICATION CODE	C	an..17	
3207	COUNTRY NAME CODE	C	an..3	

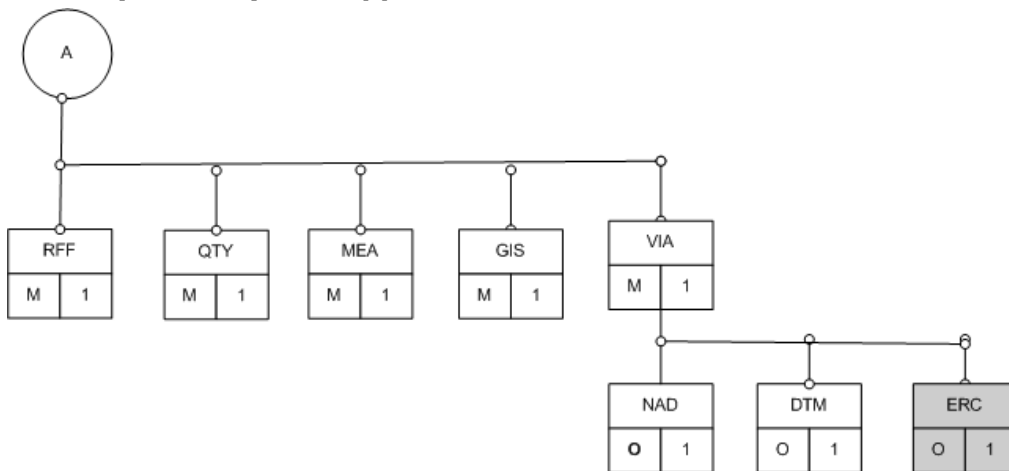
3.2.21 (LIN VIA) DTM Date/Time



(LIN VIA)	DTM DATE/TIME	O	1	CUSTOMS DECLARATION
-----------	---------------	---	---	---------------------

0507	DATE/TIME/PERIOD	M		
2005	Date or time or period function code			
	qualifier	M	an..3	"254" Registration date prev. decl.
2380	Date or time or period value	C	an..35	Date Declaration (O , n8)
2379	Date or time or period format code	C	an..3	"102" (format ccyyymmdd)

3.2.22 (LIN VIA) ERC Application Error Information

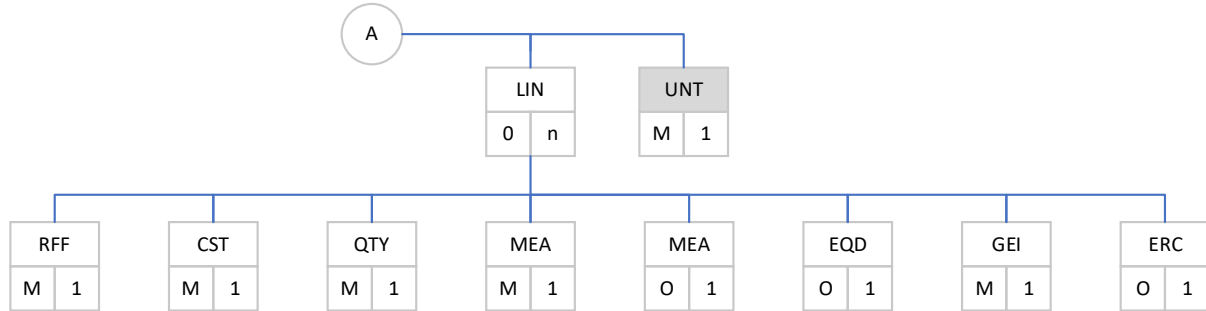


(LIN VIA)	ERCAPPLICATION ERROR INFORMATION	1	O	ALERT DETAILS (CUSTOMS DECLARATION)
-----------	----------------------------------	---	---	-------------------------------------

0	APPLICATION ERROR			
0321	Application error code	C	an..5	Error code R (an..5)

1131	Code list identification code	C	an..17	Code list qualifier
R(an3)				
3055	Code list responsible agency code	C	an..3	Code list Agency R(an3)

3.2.23 UNT Message Trailer



UNT	MESSAGE TRAILER	M	1
-----	-----------------	---	---

0074	Number of segments in the message	M	n..6	The number of segments in this message including UNH and UNT
0062	Message reference number	M	an..14	The unique reference of this message, should be identical to element 0062 in UNH

4. Codes explained

4.1 C1 Cargonaut Participant code

This is a non-public file. The needed codes will be made available to the individual EC SHUB users.

4.2 C2 Goods Reference type

Type	Description
AWB	(Master) Airway Bill
HWB	House Way Bill
ABU	Article Number
REF	Reference number "separate additional declaration"
TBD	Transit Accompanying document
TIR	Article Number
ADM	Remaining documents simplified declaration procedure

4.3 C3 Customs Declaration type

See Code table A28 Document type ECS Outgoing.

[Codeboek Sagitta, onderdeel ECS Uitgaan, A28 - DOCUMENT-SRT \(belastingdienst.nl\)](#)

4.4 C4 Customs Document type

M Message Send Arrival at Exit or Exit Summary Declaration message.

4.5 C5 Error code

Code	Description
1	Inventory Reporting Party is not a ECS participant
2	Ship to Party is not a ECS participant
3	Inventory Reporting Party is not active
4	Ship to Party is not active
5	Inventory Reporting Party is not a expeditor
6	Ship to Party is not a handler
7	Goods Reference Type incorrect
8	NEU goods identification incorrect
9	Customs document type incorrect
10	Customs declaration type incorrect
16	Number of packages (colli) is incorrect, this number can't be 0.
17	Weight gross is incorrect, this can't be 0.
18	MRN reference is invalid, the algorithm isn't met
19	Date/time of the transaction is bigger than the date/time reception of the message
20	Invalid date/time
21	Goods reference number is not available
22	Information Goods reference number incomplete
23	Unknown in ECS (no announcement done)
24	Transaction date has been more the 7 days
25	MRN reference is no transit MRN reference (position 11 ≠ 1)
26	MRN reference is no export MRN reference (position 11 ≠ 2)
27	Reporting Party is not authorized to send an Exit Notification Light (765)
28	Weight net is incorrect, this can't be 0.



4.6 C6 Code list qualifier

N99: Table Error Type, as published in the code table ECS Outgoing.

[Codeboek Sagitta, onderdeel ECS Uitgaan, N99 - ERROR TYPE \(belastingdienst.nl\)](#)

C5: As detailed above

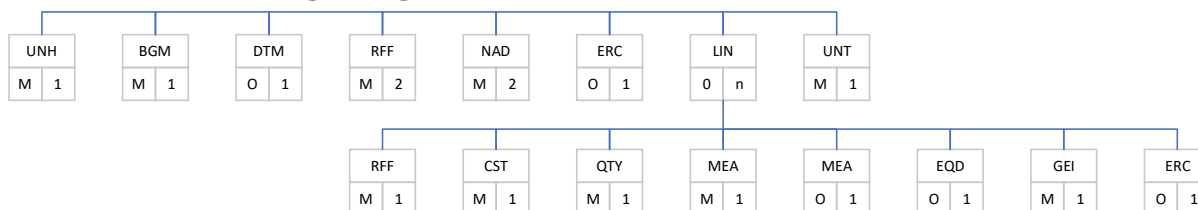
4.7 C7 Code list Agency

ECS: code table, as published by ECS.

CGN: code table, as published by Cargonaut.

5. Appendixes

5.1 EDIFact message diagram



5.2 Description of Inventory transaction types

Inventory transaction type	Inventory transaction description	Dutch: type inventory transactie
ISC	DVZ WriteIn	DGVS Inschrijving
ISL	TransferFrom	Inslag
USC	DVZ WriteOut	DGVS Uitschrijving
USL	TransferTo	Uitslag
COR	Correction of administrative inventory	Correctie op voorraad
AFB	BreakDown of goods	Afbraak
OPB	BuildUp of goods	Opbouw
CON	Negative correction on a movement	Negatieve correctie op een beweging
COP	Positive correction on a movement	Positieve correctie op een beweging